



Date
Quote #
Project Name
Type



## ZILLA - Wall Mount

### Description:

ZILLA is a wall mount luminaire that features a modern slanted design for building exteriors. Due to the slanted lens a directional light at a 45 degree angle is produced. All external hardware is stainless steel.

Name  - Engine  - Lumens  - CCT  - Electrical  - Mounting  - Lens  - Pattern  - Options  - Finish

Name	Light Engine	Source Lumens <sub>(LED)(5000K)</sub>	Color Temp	Electrical
ZILLA	20W LED (Max)	2628	3000K	UNV 120-277V
			3500K	HLV 347-480V
			4000K	
			5000K	

Contact for custom

Contact for custom

Contact for custom

Mounting	Lens	Light Pattern	Options	Finishes
WM Wall mount	CPL Clear polycarbonate lens (Std)	45S 45 degree slant	WL Wet location	Standard
			TP Tamperproof hardware	BL Black
			TS Tamperproof screws	WH White
				SG Silver Grey
				BZ Bronze
				Custom
				CC Custom Color
				See website for custom colors. Contact factory for physical samples.

- Lumens are based on max wattage & 5000K CCT
- IES files available upon request
- Std - Standard Offering

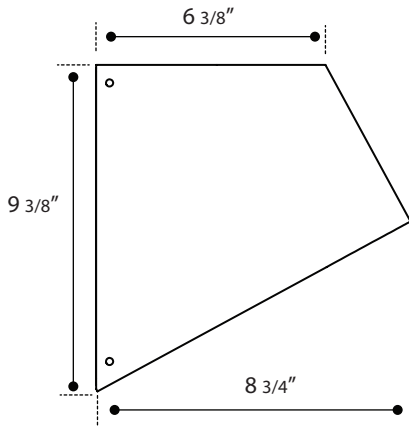




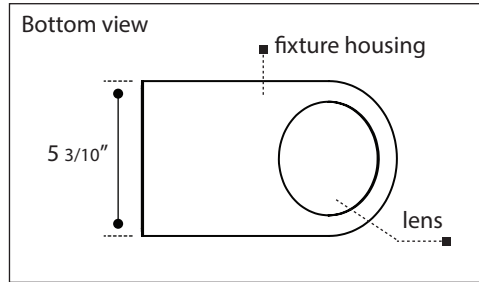
**Dimensions & Mounting:**

Please note that drawings are not to scale.

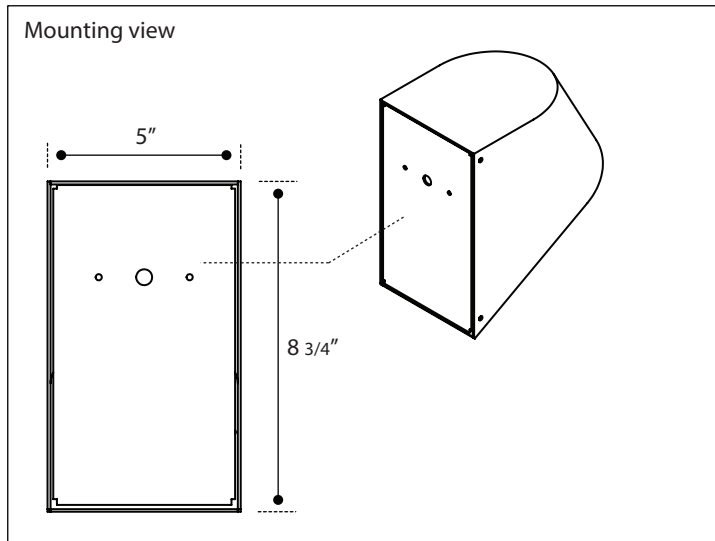
Side view



Bottom view



Mounting view



**Listing:**

Complies to CSA and UL standards.

**Polar Graph:**

