

Date: \_\_\_\_\_

Type: \_\_\_\_\_

Project: \_\_\_\_\_

## VENUS II BOLLARD-DCO

Upper assembly display consists of curvilinear bars and a flat top. Illumination is directly downwards. No up light. Ideal for outdoor pathways and dark sky compliant.

**Construction:** Fixture housing constructed from 6061 aluminum alloy. Weatherproof silicon gasket seal for all weather protection. Stainless steel external hardware for corrosion resistance.

**Mounting:** Aluminum anchoring base mounts to 3 flush-mounted anchor bolts.

**Lamp:** High power LEDs with 50,000 hrs. rated lamp life  
L70% lumen maintenance  
3000K, 3500K, 4000K, 5000K color temperature  
CRI 80

**Light distribution:** Type II, Type III, Type IV, Type V

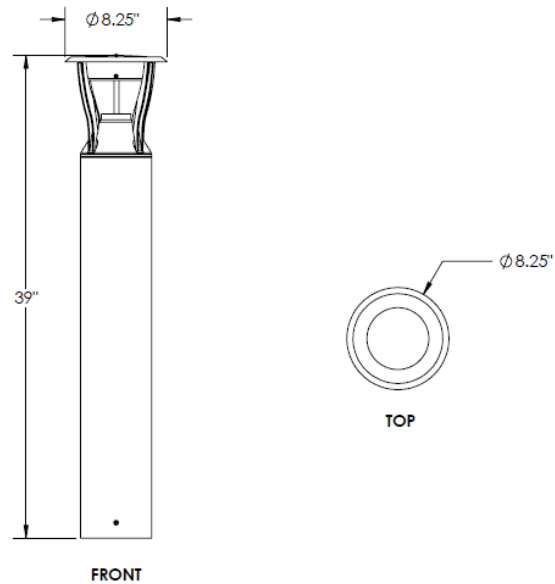
**Driver:** 60Hz, 120-277V / 347V electronic LED driver, thermally protected with low THD. 2kV native surge protection and 2.5kV ringwave with 90°C maximum case hot spot temperature. Operating temperature ranging between -10°C to 50°C.

**Options:** 0-10V Dimming, 5KV/10KV/15KV surge protector, single fuse, custom lower height (contact Factory)

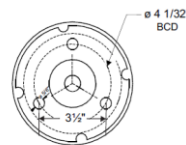
**Finish:** Black, White, Silver Gray, Bronze  
(Custom color available upon request)

**Listing:** Complies with CSA & UL Standards, for indoor and outdoor location.

**Warranty:** [5-year limited warranty](#)



### MOUNTING DETAILS:



### Anchorbolt Size: 1/2" X 12" X 1-3/8"

- Hot dipped Galvanized anchor bolts
- Galvanized steel hex nuts
- Galvanized steel flat washers



--	--	--	--	--	--	--	--	--	--

Name	Height (inches)	Light Engine	Color Temperature	Electrical	Mounting	Lens	Light Pattern	Options	Finish	
VENUS II	39 (max)	20 W	3000K	UNV	ABT	CPL	TY2	SF	SP5	BL
		LED	3500K	HLV				TP/TS	SP10	BZ
		(max)	4000K					DM	SP15	WH
			5000K							SG
									CC	

**Notes:**

- 3000K – 152 Source lm/w
- 3500K – 157 Source lm/w
- 4000K – 160 Source lm/w
- 5000K – 160 Source lm/w
- UNV – Universal voltage (120V - 277V)
- HLV – High Low voltage (347V - 480V)
- ABT – Anchors, bolts, template
- CPL – Clear lens
- TY2 – Type II light distribution
- TY3 – Type III light distribution
- TY4 – Type IV light distribution
- TY5 – Type V light distribution
- TP/TS – Tamperproof hardware
- DM – 0-10V dimming
- SP5 – Surge protector up to 5 KV
- SP10 – Surge protector up to 10 KV
- SP15 – Surge protector up to 15 KV
- BL – Minitex black
- BZ – Minitex bronze
- WH – Minitex white
- SG – Minitex silver gray
- CC – Custom color (Confirm RAL No. prior to production)