



Date
Quote #
Project Name
Type



UNI-O - Pendant

Description:

Square pendant with lens on the outside of fixture housing. Various mounting systems available to suit any indoor space. Lens profile (height) is 4".

Name	Engine	Lumens	CCT	Electrical	Mounting	Lens	Pattern	Options	Finish
<input type="text"/>	<input type="text"/>	<input type="text"/>	<input type="text"/>	<input type="text"/>	<input type="text"/>	<input type="text"/>	<input type="text"/>	<input type="text"/>	<input type="text"/>

Name	Light Engine	Source Lumens _{(LED)(5000K)}	Color Temp	Electrical
UNI-O-24	22W LED	2310	2700K	UNV 120-277V
UNI-O-36	39W LED	4095	3000K	HLV 347-480V
UNI-O-48	56W LED	5880	3500K	
UNI-O-60	72W LED	7560	4000K	
UNI-O-72	89W LED	9345	5000K	

Contact for custom

Contact for custom

Contact for custom

Mounting	Lens	Light Pattern	Options	Finishes
4AC48-TR 4 aircraft cables converge to a single canopy (Std)	OAL Opal acrylic lens	EG Encompassing glow (Std)	DM 0-10V dimming	Standard BL Black
4AC48-SPD Aircraft cable spider mount with 4 connecting to hub	ABL Alabaster lens		DM1 1% dimming	WH White
4AC48-SPD-P Combination of aircraft cables and stem			2CC 2 circuit wiring	SG Silver Grey
4AC48-CMB 4 aircraft cables with individual canopies			SF Single fuse	BZ Bronze
			EM Emergency battery	Custom
			RB Remote ballast/driver	CC Custom Color
			RGBW Programmable color changing LEDs	See website for custom colors. Contact factory for physical samples.

• Lumens are based on max wattage & 5000K CCT

• IES files available upon request

• Std - Standard Offering

Since product development is an on-going process, Solera reserves the right to change the information on this spec sheet.

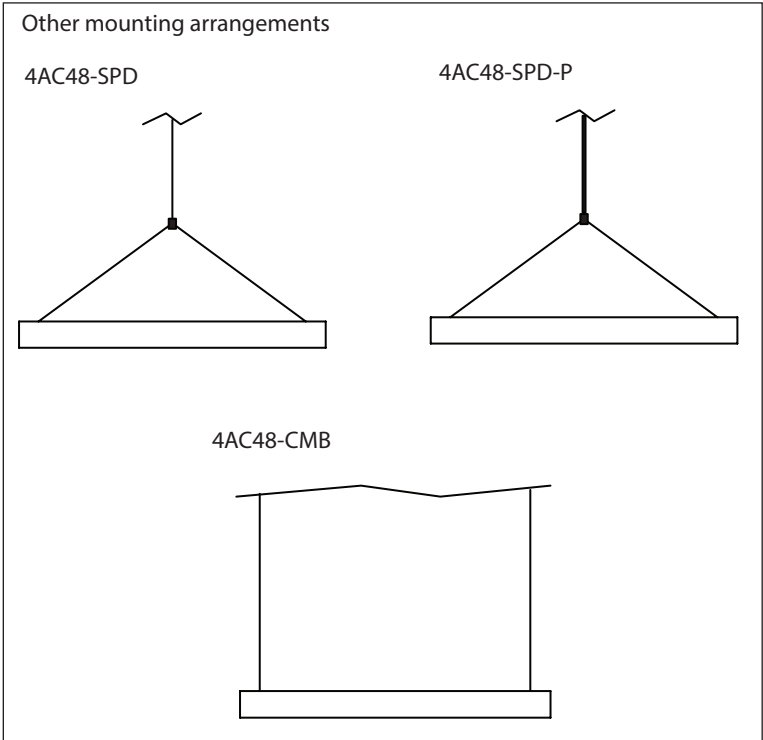
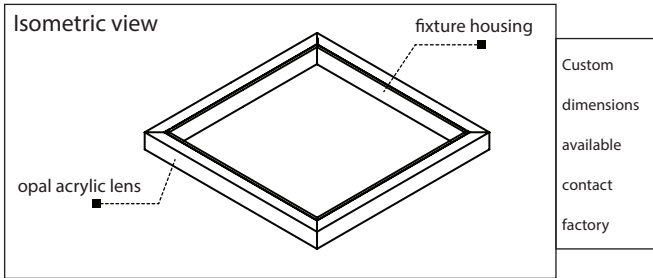
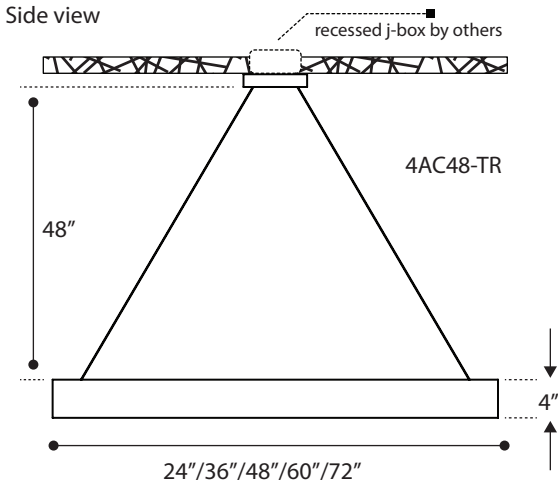
Date Modified: 01-19-2024





Dimensions & Mounting:

Please note that drawings are not to scale.



Listing:

Complies to CSA and UL standards.

Polar Graph:

