

Date: _____

Type: _____

Project: _____



TOPA CEILING MOUNT

A simple rounded surface luminaire made from spun aluminum. The inner-side is painted white with a convex opal lens to emit a pleasant downward glow. Available in 3 sizes.

Name	Light Engine		Lumens*	Color Temp	Electrical		Mounting		
TOPA	15	15" X 5"	24W LED	4224	5000K	UNV	120-277V	CM	Ceiling mounted
	18	18" X 5"	36W LED	6336	4000K	HLV	347-480V		
	24	24" X 7"	48W LED	8448	3500K				
				3000K					

Contact for other wattages & outputs

Lens		Light Distribution		Options		Outer-side Finishes	
OAL	Convex Opal Acrylic Lens with inner-side of fixture painted white (Std)	D	Down light only (Std)	RGBW	Programmable colored LED	BL	Black
				DM	0-10V dimming	WH	White
				TP	Tamperproof hardware & screws	SG	Silver Grey
						BZ	Bronze
						CC	Custom Color

[See finishes info on website](#)

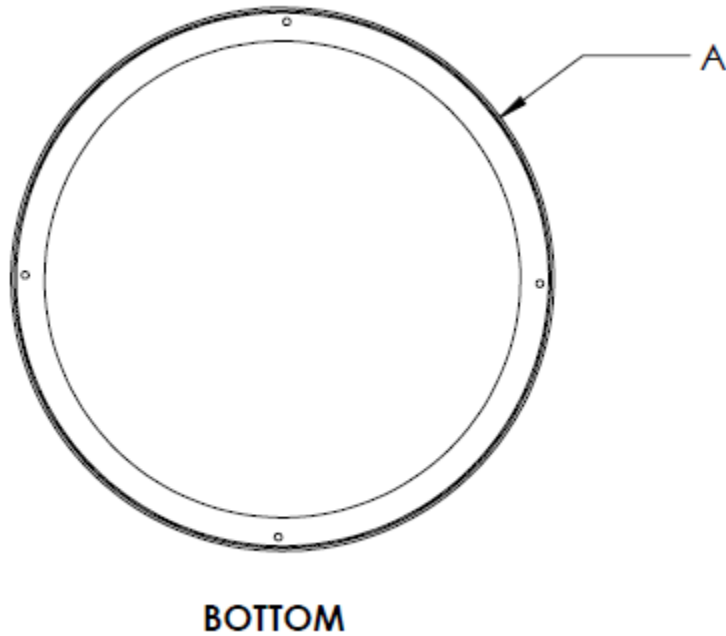
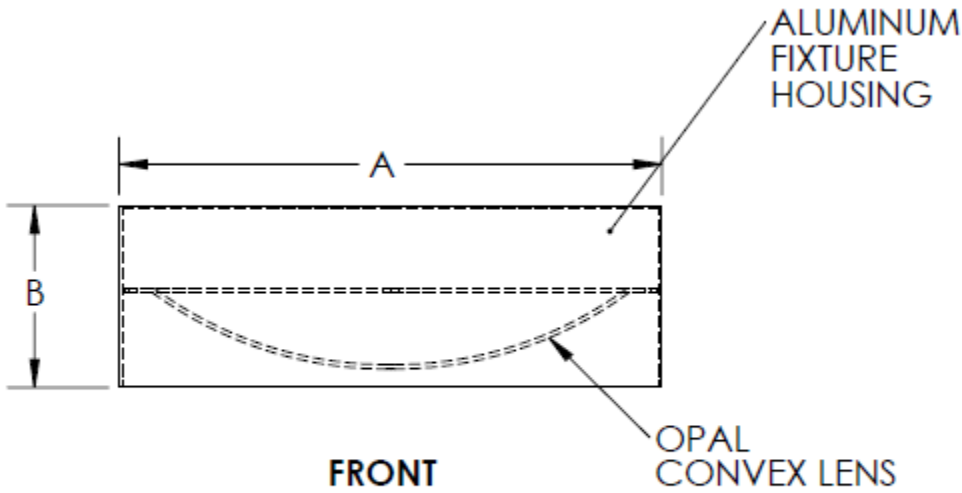
*General lumens are based on Wattage and 5000K CCT
 *Specific IES Files available upon request
 Std – Standard Offering

TOPA- _____

Customization Notes:

▶▶▶ Info on this spec sheet will change without notice as product development is an ongoing process.

Dimensions & Mounting (measurements in inches; drawings are not to scale)



PRODUCT	"DIM A"	"DIM B"
TOPA 15"	15"	5"
TOPA 18"	18"	5"
TOPA 24"	24"	7"