

|                 |
|-----------------|
| <b>Date:</b>    |
| <b>Type:</b>    |
| <b>Project:</b> |



**SUZ-BLD - BOLLARD**

Round bollard with flat top and deco bars providing ample symmetrical light patterns for walkways and pathways.

| Name    | Lamping                    | Lumens*            | Color Temp    | Electrical |          | Mounting |                           |
|---------|----------------------------|--------------------|---------------|------------|----------|----------|---------------------------|
| SUZ-BLD | 24W LED (Max)              | 2377               | 3000K         | UNV        | 120-277V | ABT      | Anchors, Bolts & Template |
|         |                            |                    | 4000K         | HLV        | 347-480V |          |                           |
|         |                            |                    | 5000K         |            |          |          |                           |
|         | Contact for other wattages | Contact for custom | Specify other |            |          |          |                           |

| Lens |                   | Light Pattern |              | Options |                         | Finishes |  |
|------|-------------------|---------------|--------------|---------|-------------------------|----------|--|
| OAL  | Opal Acrylic Lens | TY5           | Type V (Std) | TP      | Tamperproof Hardware    | BL       | Black  |
|      |                   |               |              | TS      | Tamperproof Screws      | WH       | White  |
|      |                   |               |              | DM      | 0-10V Dimming           | SG       | Silver Grey                                  |
|      |                   |               |              | PC      | Button Photocell        | BZ       | Bronze                                       |
|      |                   |               |              | SF      | Single Fuse             | CC       | Custom Color                                 |
|      |                   |               |              | GFR     | Ground Fault Receptacle |          |  |
|      |                   |               |              | D       | Dome Top                |          |  |
|      |                   |               |              |         |                         |          | <a href="#">See finishes info on website</a> |

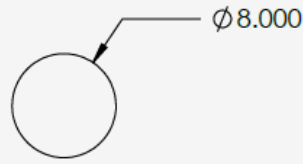
\*Lumens are based on Max Wattage and 3000K CCT  
Std – Standard Offering

SUZ-BLD- \_\_\_\_\_ - \_\_\_\_\_ - \_\_\_\_\_ - \_\_\_\_\_ - \_\_\_\_\_ - \_\_\_\_\_ - \_\_\_\_\_ - \_\_\_\_\_

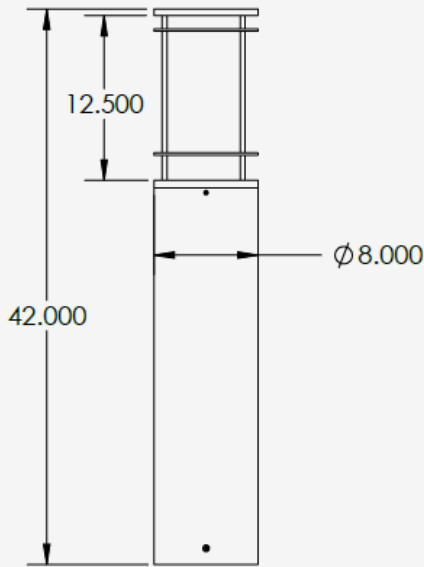
**Customization Notes:**

→ Info on this spec sheet will change without notice as product development is an ongoing process.

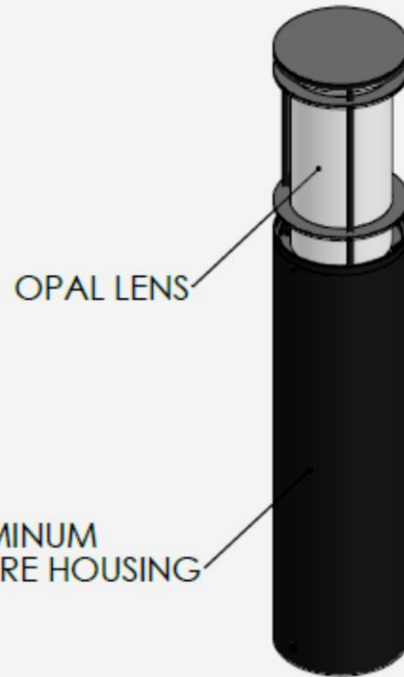
**Dimensions** (drawings are not to scale; all dimensions in inches)



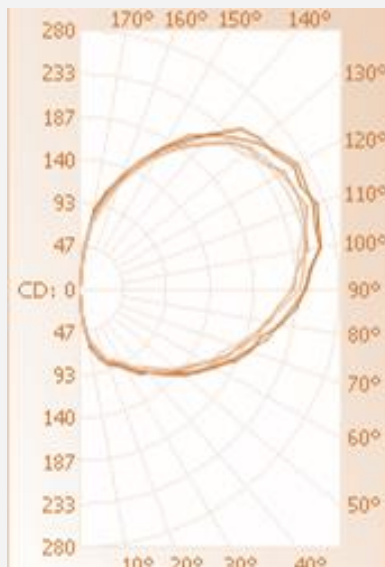
Top View



Front View

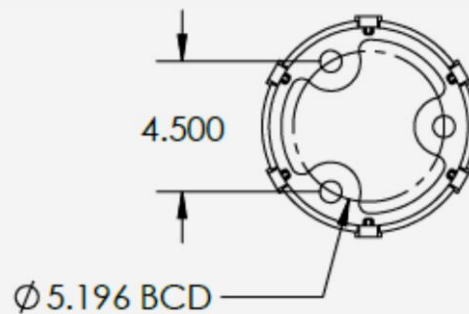


**Polar Graph**



TYPE V

**Anchoring Details** (not to scale; dimensions in inches)



**Anchorbolt Size: 1/2" X 12" X 1-3/8"**

- Hot dipped Galvanized anchor bolts
- Galvanized steel hex nuts
- Galvanized steel lock washers
- Galvanized steel flat washers