



Date
Quote #
Project Name
Type



SRBK - Wall Mount

Description:

Door frame design made of heavy duty aluminum. SRBK comes with a standard down light. Various beam spreads available such as narrow beam, medium beam, and wide beam.

Name	Engine	Lumens	CCT	Electrical	Mounting	Lens	Pattern	Options	Finish
<input type="text"/>	<input type="text"/>	<input type="text"/>	<input type="text"/>	<input type="text"/>	<input type="text"/>	<input type="text"/>	<input type="text"/>	<input type="text"/>	<input type="text"/>

Name	Light Engine	Source Lumens _{(LED)(5000K)}	Color Temp	Electrical
SRBK-6X15	6X15 18W LED (Max)	2378	3000K	UNV 120-277V
SRBK-8X15	8X15 29W LED (Max)	3235	3500K	HLV 347-480V
SRBK-8X18	8X18 40W LED (Max)	5750	4000K	
			5000K	

Mounting		Lens		Light Pattern		Options		Finishes	
WM	Wall mount	CG	Clear glass lens	WB	Wide beam	DM	0-10V dimming	Standard	
								BL	Black
PM	Pole mount	FG	Frosted glass lens	MB	Medium beam	IP65	Rated enclosure	WH	White
		PG	Prismatic glass lens	NB	Narrow beam	PC	Button photocell	SG	Silver Grey
						TP	Tamperproof hardware	BZ	Bronze
						TS	Tamperproof screws	Custom	
						RGBW	Programmable color changing LEDs	CC	Custom Color
						AEL	Quartz restrike (relay)		See website for custom colors. Contact factory for physical samples.
						MEL	Quartz restrike (no relay)	CH	Chrome
								ANO	Anodized Aluminum

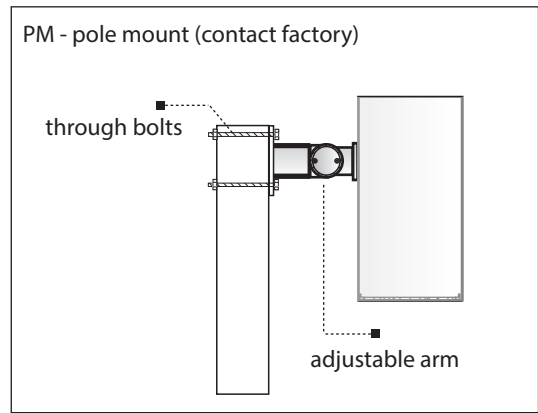
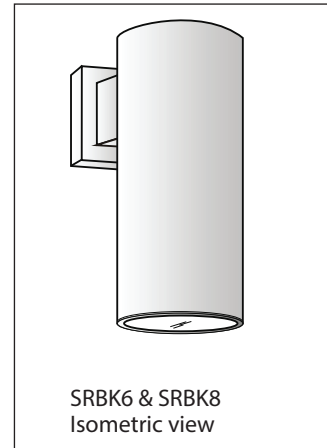
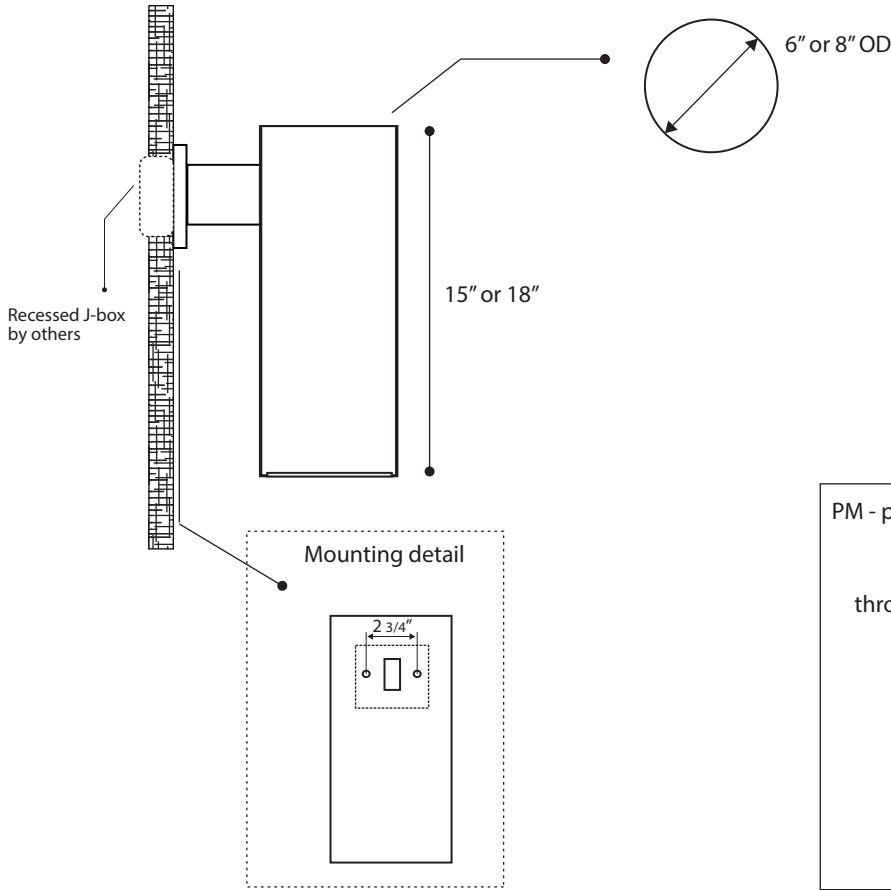
- Lumens are based on max wattage & 5000K CCT
- IES files available upon request
- Std - Standard Offering





Dimensions & Mounting:

Please note that drawings are not to scale.



Listing:

Complies to CSA and UL standards.

Polar Graph:

