



Date
Quote #
Project Name
Type



## SRB8X - Bollard

### Description:

Bollard with rounded top and deco bars providing ample symmetrical light patterns for walkways and pathways. Dome top mounts to extruded aluminum shaft. Lens is silicone sealed for weather protection.

Name	Engine	Lumens	CCT	Electrical	Mounting	Lens	Pattern	Options	Finish
<input type="text"/>	<input type="text"/>	<input type="text"/>	<input type="text"/>	<input type="text"/>	<input type="text"/>	<input type="text"/>	<input type="text"/>	<input type="text"/>	<input type="text"/>

Name	Light Engine	Source Lumens(LED)	Color Temp	Electrical
SRB8X	48 LED (Max)	6930	3000K	UNV 120-277V
			3500K	HLV 347-480V
			4000K	
			5000K	

Contact for custom      Contact for custom      Contact for custom

Mounting		Lens		Light Pattern		Options		Finishes	
ABT	Anchor, bolts & template	CPL	Clear polycarbonate lens (Std)	TY5	Type V (Std)	MS	Motion sensor	Standard	
						SD	Step dimming	BL	Black
		OPL	Opal polycarbonate lens	TY3	Type III	TP	Tamperproof hardware	WH	White
						TS	Tamperproof screws	SG	Silver Grey
				180	180 degrees	PC	Button photocell	BZ	Bronze
						GFR	Ground fault receptacle	Custom	
						SF	Single fuse	CC	Custom Color
				ELB	Electronic HID ballast	See website for custom colors. Contact factory for physical samples.			

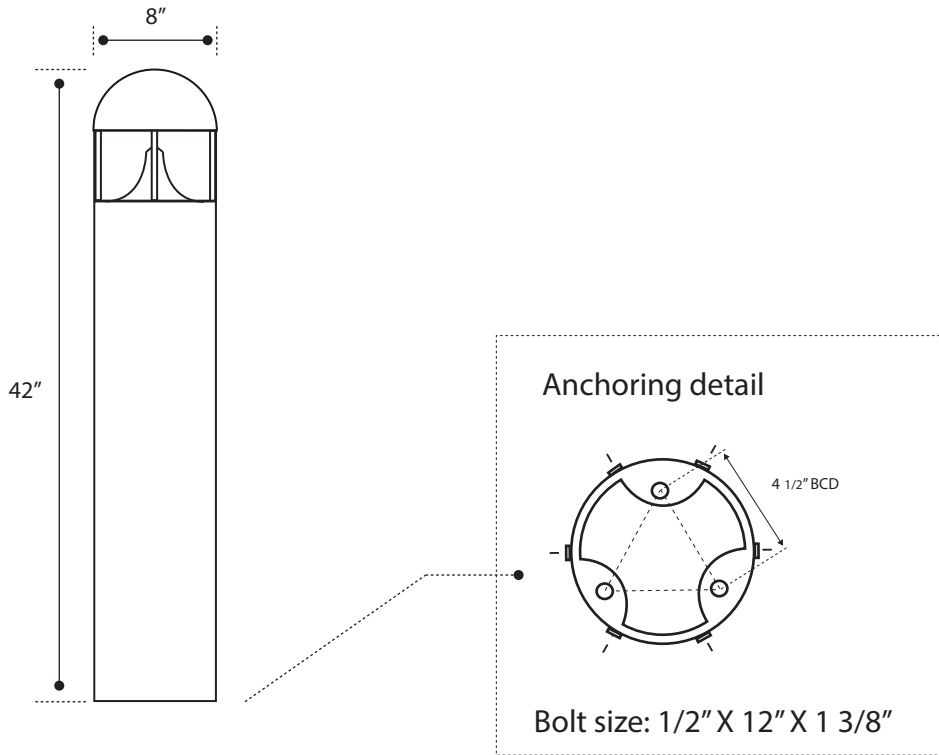
- Lumens are based on max wattage & 5000K CCT
- IES files available upon request
- Std - Standard Offering





**Dimensions & Mounting:**

Please note that drawings are not to scale.



**Listing:**

Complies to CSA and UL standards.

**Polar Graph:**

