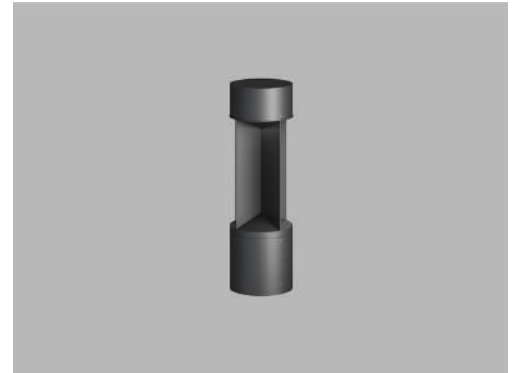




Date
Quote #
Project Name
Type



SRB8-F-X - Bollard

Description:

All aluminum construction, the luminaire consists of a flat cap and extruded shaft with 4 sides. Height of the bollard is customizable.

Name - Engine - Lumens - CCT - Electrical - Mounting - Lens - Pattern - Options - Finish

Name	Light Engine	Source Lumens _{(LED)(5000K)}	Color Temp	Electrical
SRB8-F-X	20 W LED (Max)	2814	3000K	UNV 120-277V
			3500K	HLV 347-480V
			4000K	
			5000K	
	Contact for custom	Contact for custom	Contact for custom	

Mounting		Lens		Light Pattern		Options		Finishes	
ABT	Anchor, bolts & template	CPL	Clear polycarbonate lens (Std)	TY5	Type V (Std)	MS	Motion sensor	Standard	
				180	180 degree	SD	Step dimming	BL	Black
						TP	Tamperproof hardware	WH	White
						TS	Tamperproof screws	SG	Silver Grey
						PC	Button photocell	BZ	Bronze
								Custom	
								CC	Custom Color
									See website for custom colors. Contact factory for physical samples.

- Lumens are based on max wattage & 5000K CCT
- IES files available upon request
- Std - Standard Offering

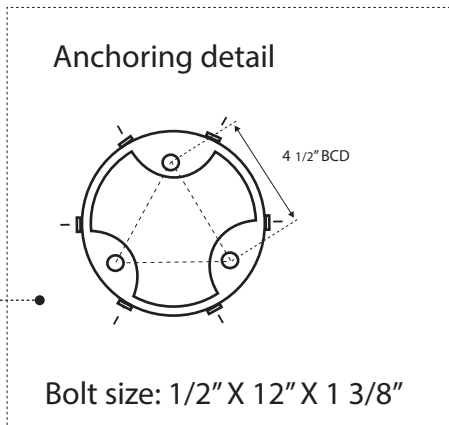
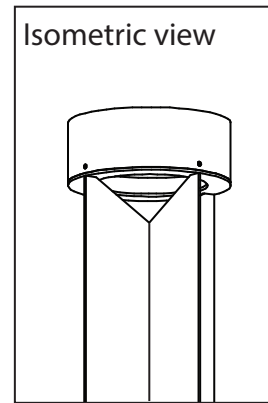
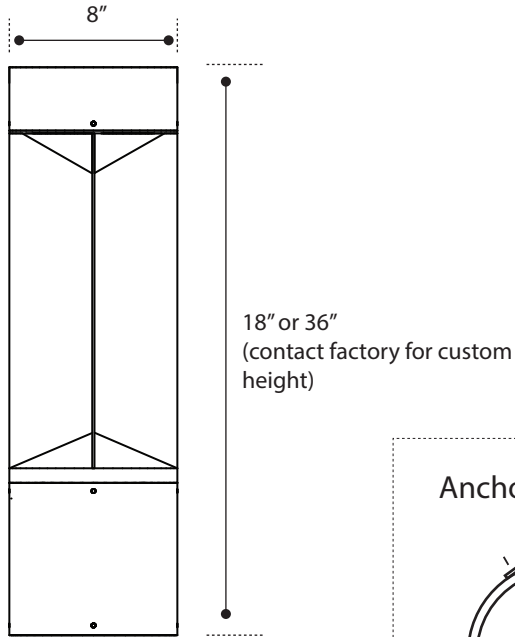




Dimensions & Mounting:

Please note that drawings are not to scale.

Side view



Listing:

Complies to CSA and UL standards.

Polar Graph:

