



Date
Quote #
Project Name
Type



SRB6F-SS - Bollard

Description:

One piece flat cap with shaft. Upper assembly is secured with external screws to steel shaft. Area outside the lens can be perforated. Choose between surface mount or direct burial. Stainless steel custom finish available.

Name - Engine - Lumens - CCT - Electrical - Mounting - Lens - Pattern - Options - Finish

Name	Light Engine	Source Lumens _{(LED)(5000K)}	Color Temp	Electrical
SRB6F-SS	48 LED (Max)	6240	3000K	UNV 120-277V
			3500K	HLV 347-480V
			4000K	
			5000K	

Mounting		Lens		Light Pattern		Options		Finishes	
ABT	Anchor, bolts & template	OPL	Opal polycarbonate lens (Std)	TY5	Type V (Std)	MS	Motion sensor	Standard	
DB	Direct burial			180	180 degrees	SD	Step dimming	BL	Black
						TP	Tamperproof hardware	WH	White
						TS	Tamperproof screws	SG	Silver Grey
						PC	Button photocell	BZ	Bronze
						SF	Single fuse	CC	Bronze
						BC	Base cover		Custom Color
						PAL	Perforation around lens	See website for custom colors. Contact factory for physical samples.	
						GFR	Ground fault receptacle	SS	Stainless Steel
						RGBW	Programmable color changing LEDs		

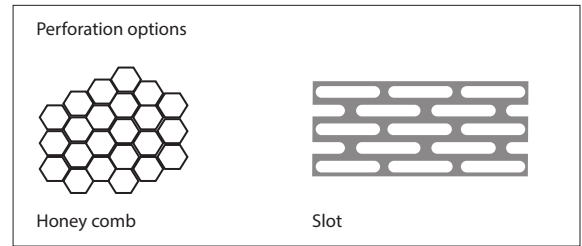
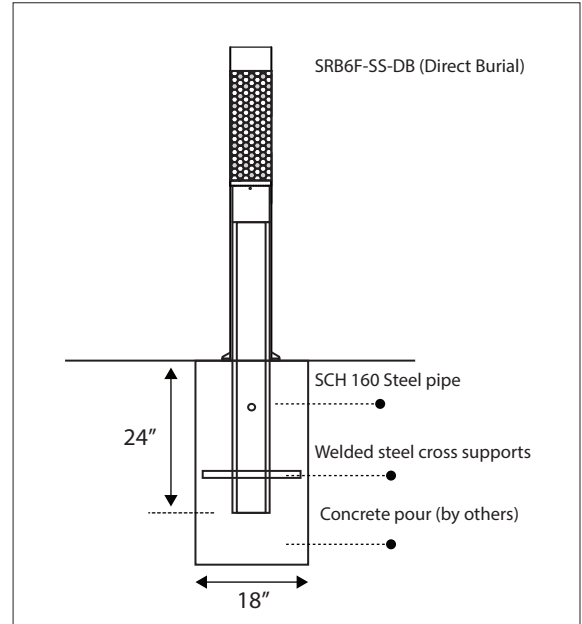
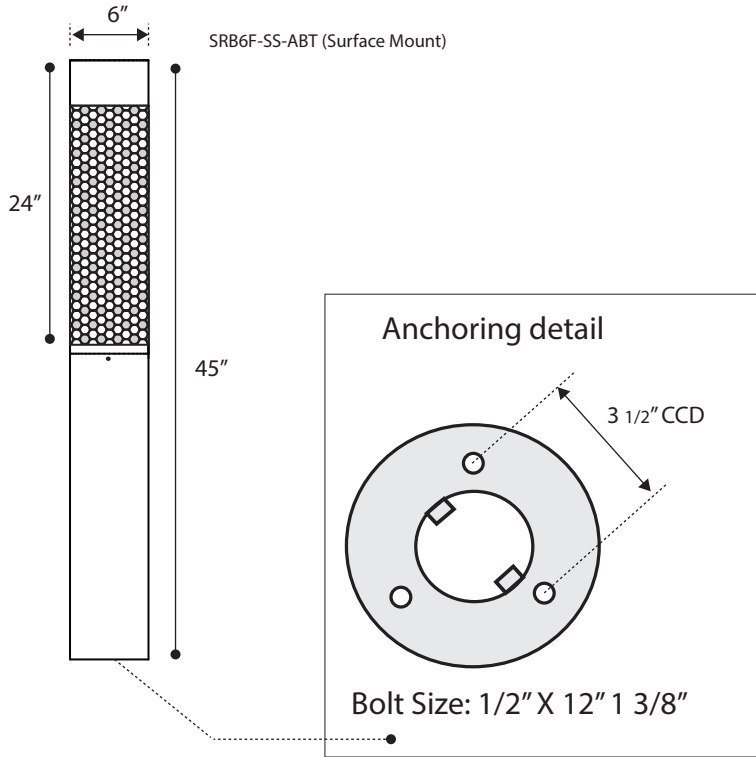
- Lumens are based on max wattage & 5000K CCT
- IES files available upon request
- Std - Standard Offering





Dimensions & Mounting:

Please note that drawings are not to scale.



Listing:

Complies to CSA and UL standards.

Polar Graph:

