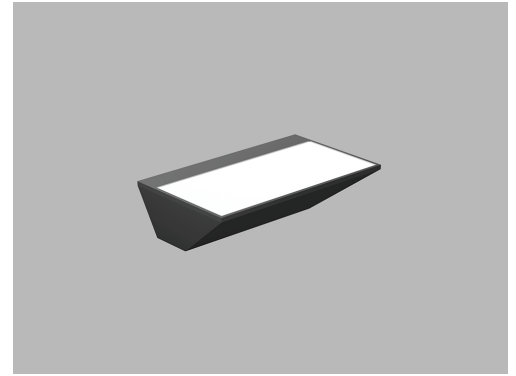




Date
Quote #
Project Name
Type



SPRUCE - Wall Mount

Description:

Constructed of fabricated aluminum with a continuous seamless weld and a silicone sealed lens. All external hardware is stainless steel.

Name	Engine	Lumens	CCT	Electrical	Mounting	Lens	Pattern	Options	Finish
<input type="text"/>	<input type="text"/>	<input type="text"/>	<input type="text"/>	<input type="text"/>	<input type="text"/>	<input type="text"/>	<input type="text"/>	<input type="text"/>	<input type="text"/>

Name	Light Engine	Source Lumens _{(LED)(5000K)}	Color Temp	Electrical
SPRUCE	18W LED (Max)	2076	3000K	UNV 120-277V
			3500K	HLV 347-480V
			4000K	
			5000K	

Contact for custom

Contact for custom

Contact for custom

Mounting	Lens	Light Pattern	Options	Finishes
WM Wall mount	CPL Clear polycarbonate lens (Std)	U Up light (Std)	WL Wet location	Standard
			TP Tamperproof hardware	BL Black
			TS Tamperproof screws	WH White
				SG Silver Grey
				BZ Bronze
				Custom
				CC Custom Color
				See website for custom colors. Contact factory for physical samples.

- Lumens are based on max wattage & 5000K CCT
- IES files available upon request
- Std - Standard Offering

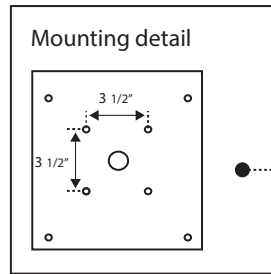
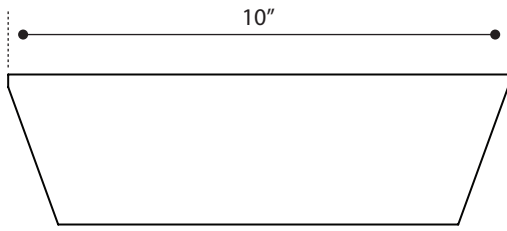




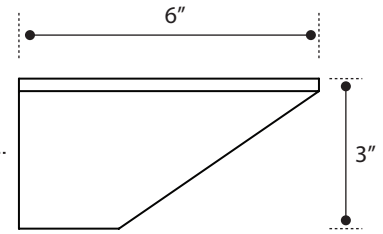
Dimensions & Mounting:

Please note that drawings are not to scale.

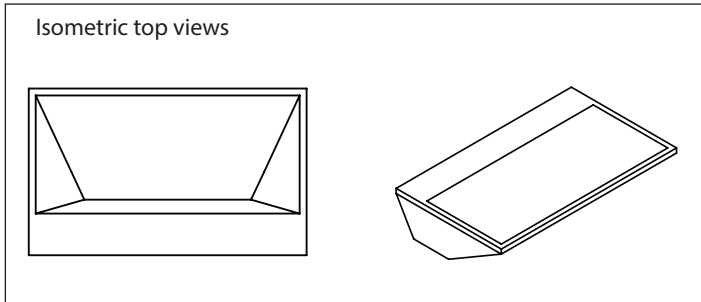
Front view



Side view



Isometric top views



Listing:

Complies to CSA and UL standards.

Polar Graph:

