

Date:

Type:

Project:



SOX-BLD BOLLARD

The bollard version of the SOX Light Column. Made from extruded aluminum that looks like an inverted “L” giving a very simple & sleek look. The head assembly has clear lens with light emitting directly downwards. Standard is 40” high with 8” width and 2.5” thick.

Name	Lamping*	Lumens*	Color Temp	Electrical	Mounting	
SOX-BLD	24 W LED		5000K	UNV	120-277V	ABT Anchors, bolts, & template
			4000K	HLV	347-480V	
			3500K			
			3000K			
Contact for other wattages			Contact for other mounting types			

Lens	Light Pattern	Options	Finishes				
CL	Clear lens (Std)	TY5	Type V distribution (Std)	TP	Tamperproof Hardware	BL	Black
FL	Frosted lens	TY4	Type IV distribution	TS	Tamperproof Screws	WH	White
OPL	Opal lens	TY3	Type III distribution	BC	Base cover	SG	Silver Grey
		TY2	Type II distribution			BZ	Bronze
						CC	Custom Color

[See finishes info on website](#)

*Lumens are based on Max Wattage and 5000K CCT

*Specific IES Files available upon request

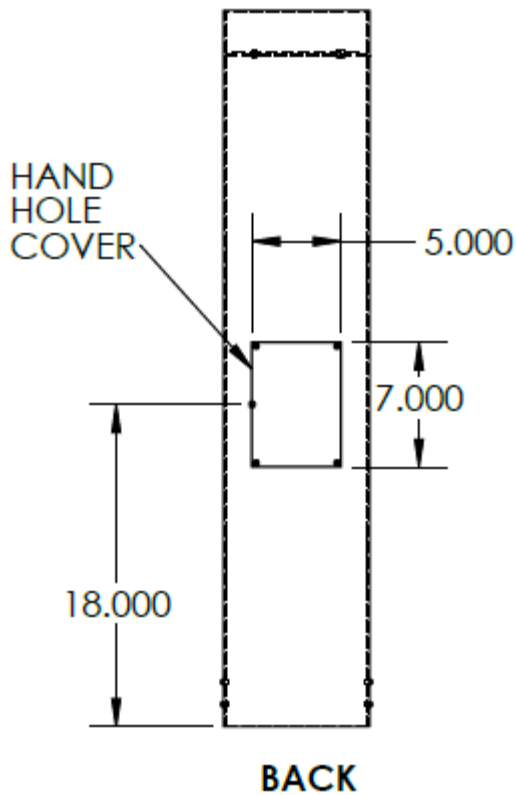
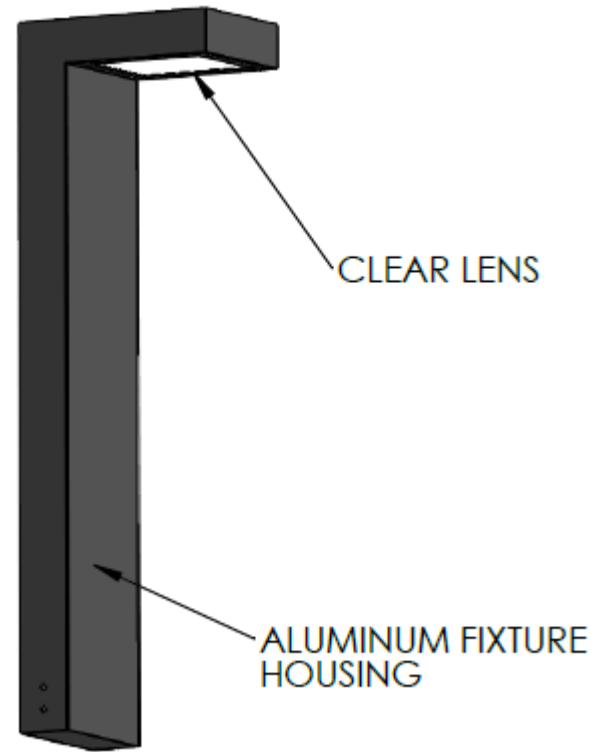
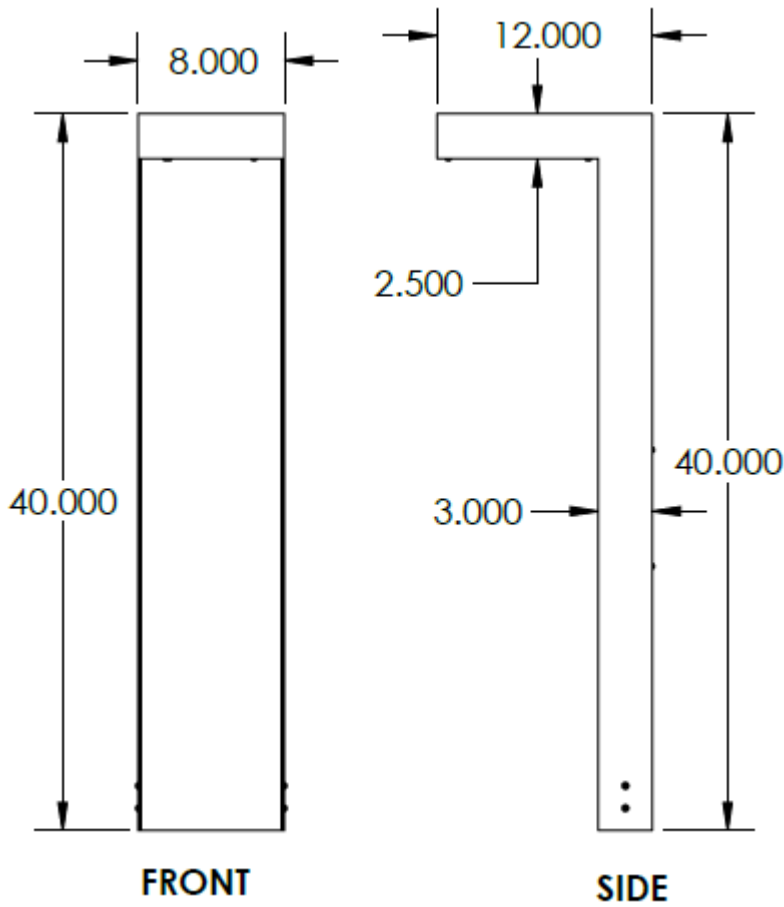
Std – Standard Offering

SOX-BLD- _____

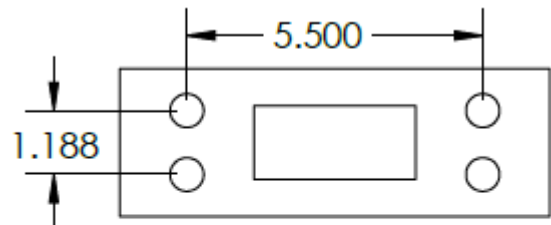
Customization Notes:

▶▶▶ Info on this spec sheet will change without notice as product development is an ongoing process.

Dimensions & Mounting (measurements in inches; drawings are not to scale)



Anchoring Details (measurements in inches; drawings are not to scale)



Anchorbolt Size: 1/2" X 12" X 1-3/8"

- Hot dipped Galvanized anchor bolts
- Galvanized steel hex nuts
- Galvanized steel flat washers