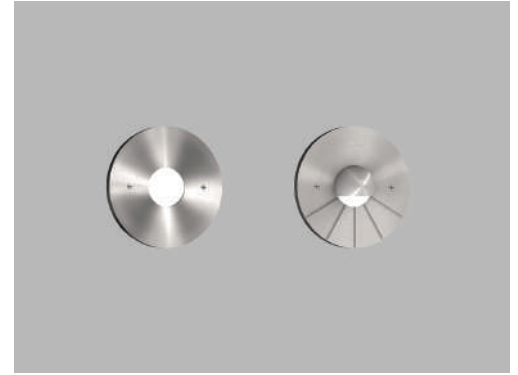




Date
Quote #
Project Name
Type



SMSL- Recessed

Description:

SMSL is a cast aluminum luminaire with a face plate.
 Choose between 2 styles: FF (full face) or HF (hooded face). All external hardware is stainless steel.

Name - Engine - Lumens - CCT - Electrical - Mounting - Lens - Pattern - Options - Finish

Name	Light Engine	Source Lumens _{(LED)(5000K)}	Color Temp	Electrical
SMSL-FF	10W LED (Max)	985	3000K	UNV 120-277V
SMSL-HF			3500K	HLV 347-480V
			4000K	
			5000K	

Contact for custom

Contact for custom

Contact for custom

Mounting	Lens	Light Pattern	Options	Finishes
RTC Recessed in concrete	CG Clear glass lens (Std)	FF Full face	SD Step dimming	Standard
		HF Hood face	MS Motion sensor	BL Black
	CPL Clear polycarbonate lens		SF Single fuse	WH White
			TP Tamperproof hardware	SG Silver Grey
		TS Tamperproof screws	BZ Bronze	
			Custom	
			CC Custom Color	

See website for custom colors.
 Contact factory for physical samples.

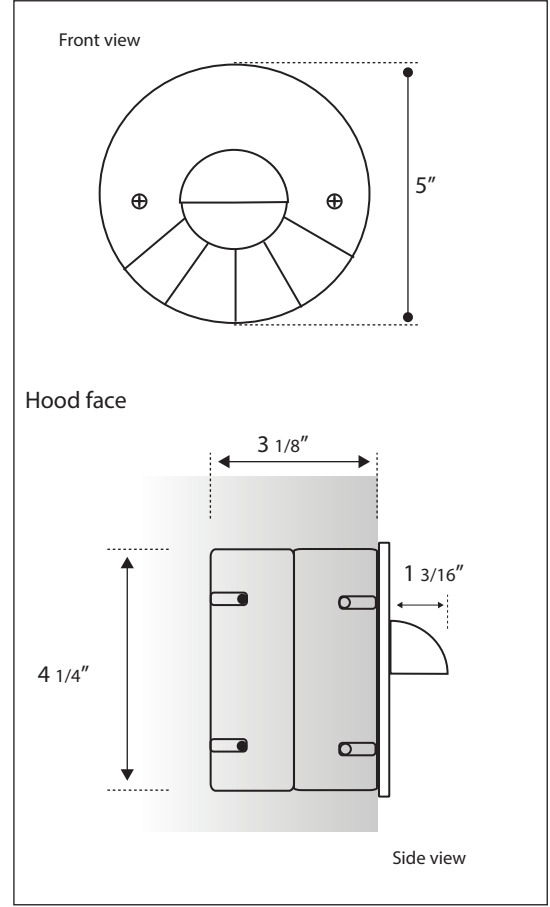
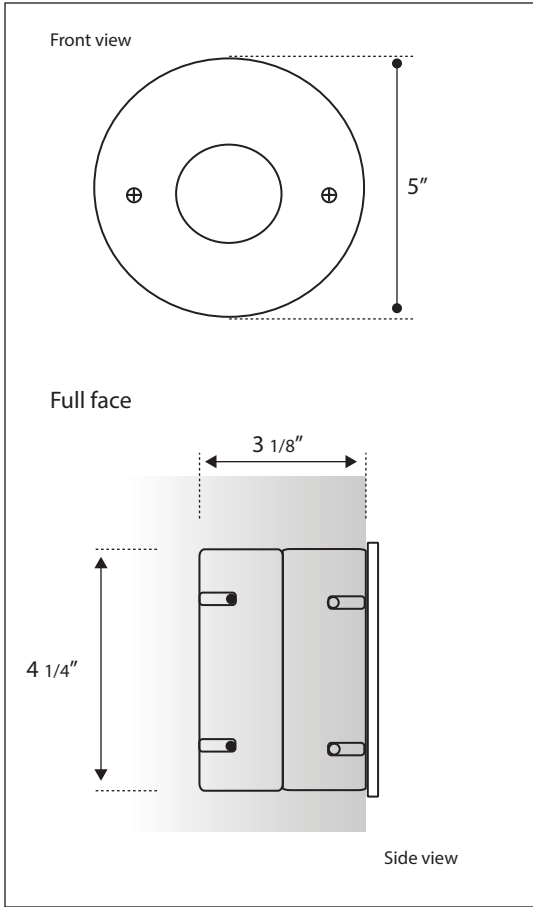
- Lumens are based on max wattage & 5000K CCT
- IES files available upon request
- Std - Standard Offering





Dimensions & Mounting:

Please note that drawings are not to scale.



Listing:

Complies to CSA and UL standards.

Polar Graph:

