



Date
Quote #
Project Name
Type



SLTR/SLTS - Post Top

Description:

Post top with cast aluminum top piece, clear lens and internal reflectors. All external hardware is stainless-steel.

Name - Engine - Lumens - CCT - Electrical - Mounting - Lens - Pattern - Options - Finish

Name	Light Engine	Source Lumens _{(LED)(5000K)}	Color Temp	Electrical
SLTR	175W LED (Max)	20838	3000K	UNV 120-277V
SLTS			3500K	HLV 347-480V
			4000K	
			5000K	

Mounting		Lens		Light Pattern		Options		Finishes	
PT3	Post top slips over 3" pole	CPL	Clear polycarbonate lens (Std)	TY5	Type V (Std)	SD	Step dimming	Standard	
PT4	Post top slips over 4" pole	CAL	Clear acrylic lens	TY3	Type III	MS	Motion sensor	BL	Black
		OPL	Opal polycarbonate lens	TY2	Type II	TP	Tamperproof hardware	WH	White
		OAL	Opal acrylic lens			TS	Tamperproof screws	SG	Silver Grey
						PC	Button photocell	BZ	Bronze
						PC	Button photocell	Custom	
						GFI	Ground fault interrupter	CC	Custom Color
						PCR	Photocell receptacle		See website for custom colors. Contact factory for physical samples.
						TCO	Trespass cut off		

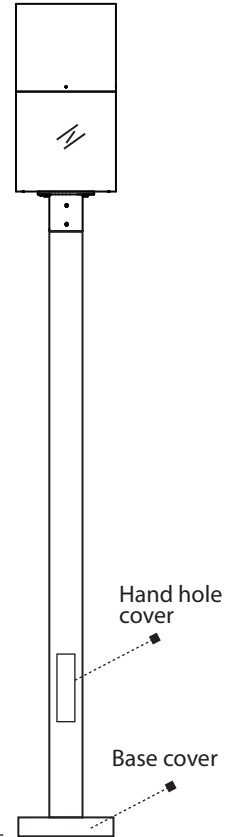
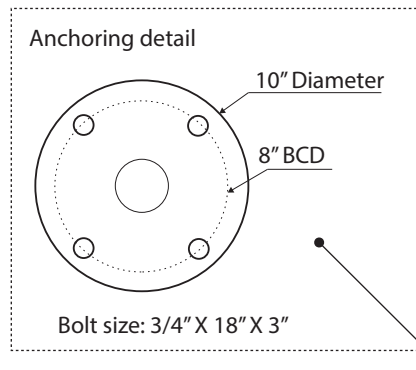
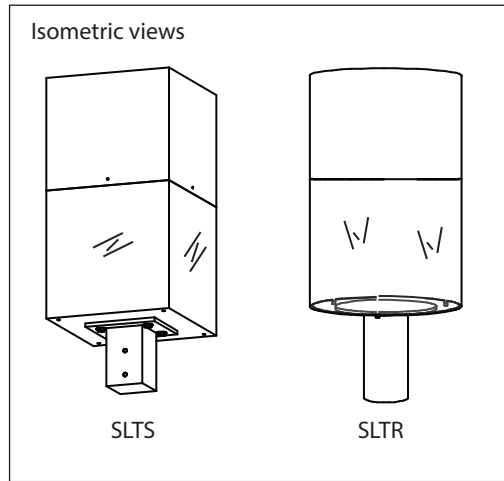
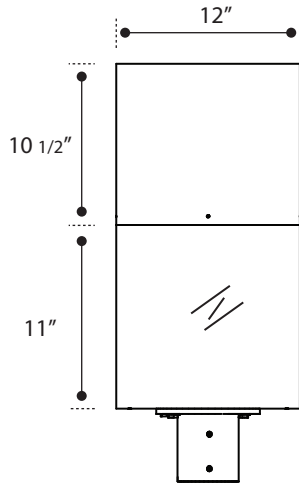
- Lumens are based on max wattage & 5000K CCT
- IES files available upon request
- Std - Standard Offering





Dimensions & Mounting:

Please note that drawings are not to scale.



Listing:

Complies to CSA and UL standards.

Polar Graph:

