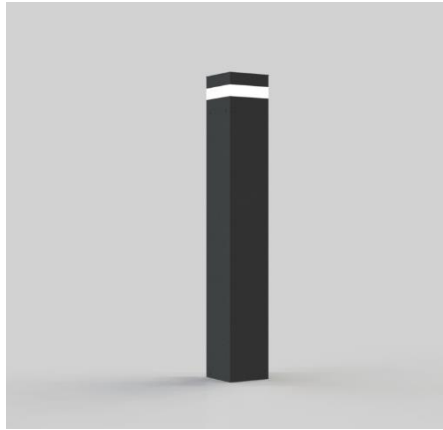


Date:

Type:

Project:



SLICK SQUARE BOLLARD

6" square bollard with flat top, sharp corners, and very narrow lens profile. An ideal addition in outdoor spaces for a modern appeal. Made from aluminum extrusion. Also available as unlit bollard.

Name	Height		Lamping	Lumens*	Color Temp	Electrical		Mounting	
SLICK-6	40	40"	30W LED	2683	3000K	UNV	120-277V	ABT	Anchors, Bolts & Template
	24	24"	14W LED	1275	3500K 4000K 5000K	HLV	347-480V		
Available in 8" square		Contact for other heights		Specify other					

Lens		Light Pattern		Options			Finishes	
CL	Clear lens (Std)	TY5	Type V distribution (Std)	TP	Tamperproof hardware & screws	BL	Black	
OPL	Opal lens			DM		0-10V Dimming	BZ	Bronze
FL	Frosted lens			PC	Button Photocell	WH	White	
				SF	Single Fuse	SG	Silver Grey	
				GFR	Ground Fault Receptacle			
				UN	Unlit version			
						BA4	Brushed Aluminum #4	
						CC	Custom Color	

[See finishes info on website](#)

*Lumens are based on Wattage, Type 5 Distribution, and 5000K CCT

*Specific IES Files available upon request

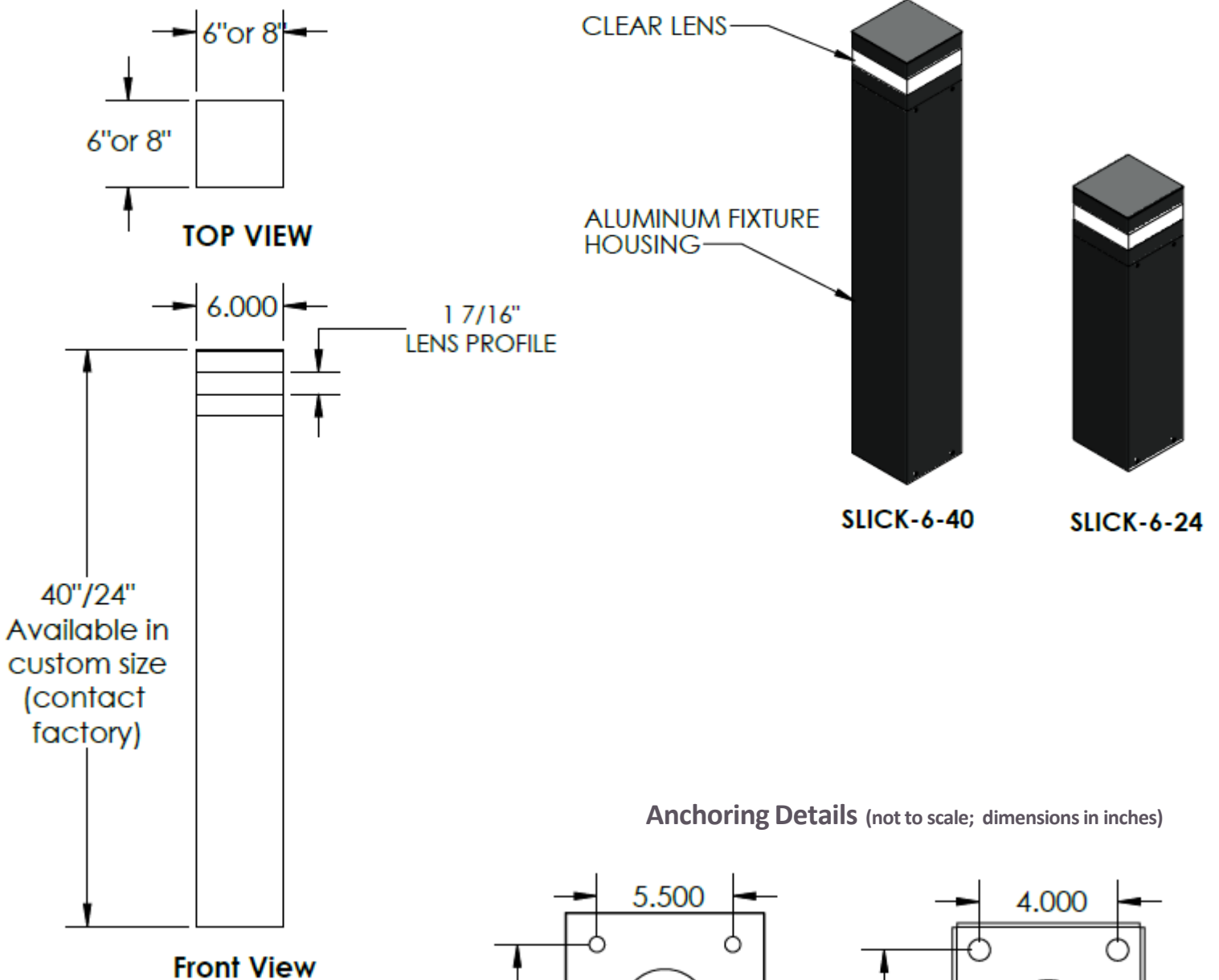
Std – Standard Offering

SLICK-6- _____

Customization Notes:

→ Info on this spec sheet will change without notice as product development is an ongoing process.

Dimensions (drawings are not to scale; all dimensions in inches)



Anchorbolt Size: 1/2" X 12" X 1-3/8"

- Hot dipped Galvanized anchor bolts
- Galvanized steel hex nuts
- Galvanized steel flat washers