



Date
Quote #
Project Name
Type



SINR - Wall Mount

Description:

Housing is made of die-cast aluminum with vandal proof lens. The lens is silicone sealed to for full weather protection. Suitable for Dark Sky applications.

Name	Engine	Lumens	CCT	Electrical	Mounting	Lens	Pattern	Options	Finish
<input type="text"/>	<input type="text"/>	<input type="text"/>	<input type="text"/>	<input type="text"/>	<input type="text"/>	<input type="text"/>	<input type="text"/>	<input type="text"/>	<input type="text"/>

Name	Light Engine	Source Lumens _{(LED)(5000K)}	Color Temp	Electrical
SINR	144W LED (Max)	16227	3000K	UNV 120-277V
			3500K	HLV 347-480V
			4000K	
			5000K	

Mounting		Lens		Light Pattern		Options		Finishes	
WM	Wall Mount	CPL	Clear polycarbonate lens (Std)	Contact for custom		WL	Wet location	Standard	
				TY5	Type V (Std)			BL	Black
		FG	Frosted glass lens			Contact for custom		TP	Tamperproof hardware
				TY4	Type IV	TS	Tamperproof screws		
		CG	Clear glass lens					Contact for custom	
				TY3	Type III	TYII	Type II	EM	Emergency battery
RB	Remote ballast/driver	CC	Custom Color						
		DCO	Dark sky cutoff	Contact for custom		SF	Single Fuse	See website for custom colors. Contact factory for physical samples.	

- Lumens are based on max wattage & 5000K CCT
- IES files available upon request
- Std - Standard Offering

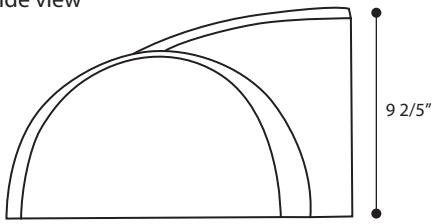




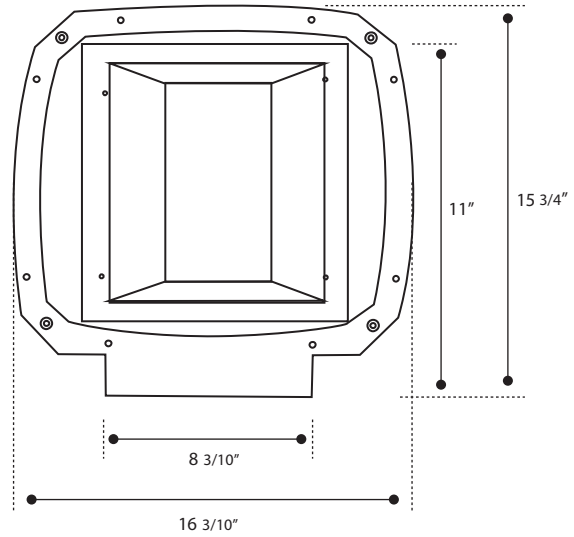
Dimensions & Mounting:

Please note that drawings are not to scale.

Side view



Bottom view

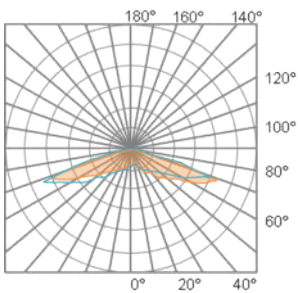


Listing:

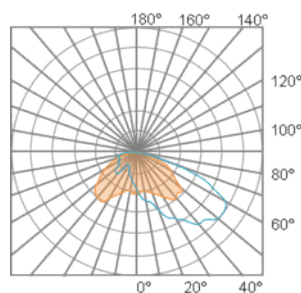
Complies to CSA and UL standards.

Polar Graph:

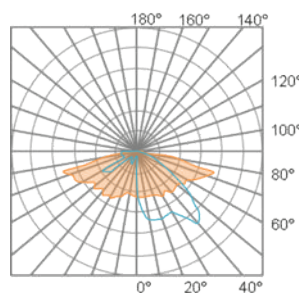
TY5



TY4



TY3



TY2

