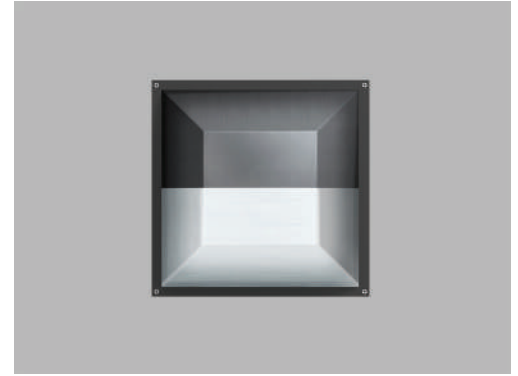




Date
Quote #
Project Name
Type



SFPW - Wall Mount

Description:

Constructed of die cast aluminum where lens is secured with stainless steel hardware. Recessed options available.

Name - Engine - Lumens - CCT - Electrical - Mounting - Lens - Pattern - Options - Finish

Name	Light Engine	Source Lumens _{(LED)(5000K)}	Color Temp	Electrical
SFPW	48W LED (Max)	6240	3000K	UNV 120-277V
	70 MH		3500K	HLV 347-480V
	70 HPS		4000K	TT Tri-Tap(HID)
	CFL42		5000K	MT Multi-Tap(HID)

Contact for custom

Contact for custom

Contact for custom

Mounting		Lens		Light Pattern		Options		Finishes	
WM	Wall mount	LP	Linear prism lens (Std)	FT	Forward throw	TP	Tamperproof hardware	Standard	
								BL	Black
RTC	Recessed in concrete					TS	Tamperproof screws	WH	White
						EM	Emergency battery	SG	Silver Grey
R	Recessed in dry wall					WL	Wet location	BZ	Bronze
						SF	Single fuse	Custom	
								CC	Custom Color
									See website for custom colors. Contact factory for physical samples.

- Lumens are based on max wattage & 5000K CCT
- IES files available upon request
- Std - Standard Offering

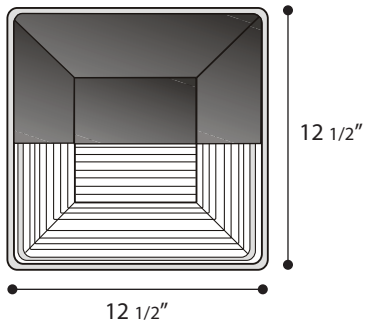




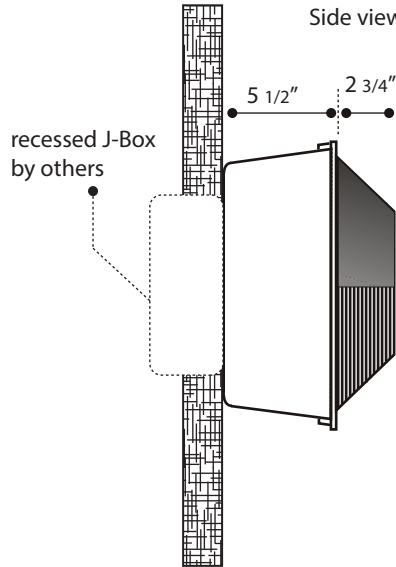
Dimensions & Mounting:

Please note that drawings are not to scale.

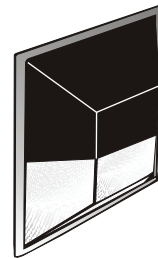
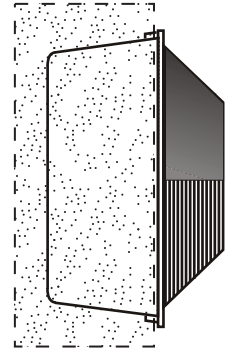
Front view



Side view



Recessed version



Isometric view

Listing:

Complies to CSA and UL standards.

Polar Graph:

