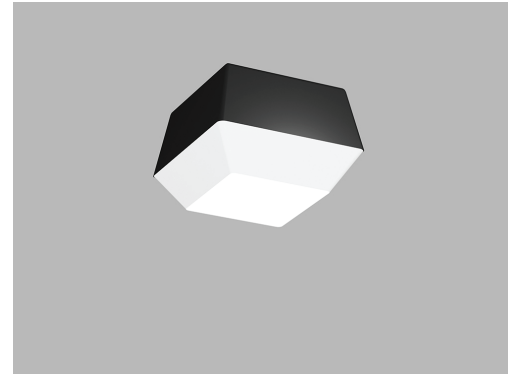




Date
Quote #
Project Name
Type



SFPC

Description:

Constructed of cast aluminum with several lens selections such as a linear prism lens, prismatic glass lens, or K12. All external hardware is stainless steel.

Name	Engine	Lumens	CCT	Electrical	Mounting	Lens	Pattern	Options	Finish
<input type="text"/>	<input type="text"/>	<input type="text"/>	<input type="text"/>	<input type="text"/>	<input type="text"/>	<input type="text"/>	<input type="text"/>	<input type="text"/>	<input type="text"/>

Name	Light Engine	Source Lumens _{(LED)(5000K)}	Color Temp	Electrical
SFPC	48W LED (Max)	5695	3000K	UNV 120-277V
			3500K	HLV 347-480V
			4000K	TT Tri-Tap(HID)
			5000K	MT Multi-Tap(HID)

Mounting		Lens		Light Pattern		Options		Finishes	
CM	Ceiling mount	PR	Prismatic lens (K12)	FT	Forward throw	TP	Tamperproof hardware	Standard	
RT	Recessed in T-Bar ceiling (Non-IC)	LPL	Linear prismatic lens			TS	Tamperproof screws	BL	Black
RP	Recessed in plaster ceiling (Non-IC)					EM	Emergency battery	WH	White
						WL	Wet location	SG	Silver Grey
						SF	Single fuse	BZ	Bronze
								Custom	
								CC	Custom Color
									See website for custom colors. Contact factory for physical samples.

- Lumens are based on max wattage & 5000K CCT
- IES files available upon request
- Std - Standard Offering

Since product development is an on-going process, Solera reserves the right to change the information on this spec sheet.

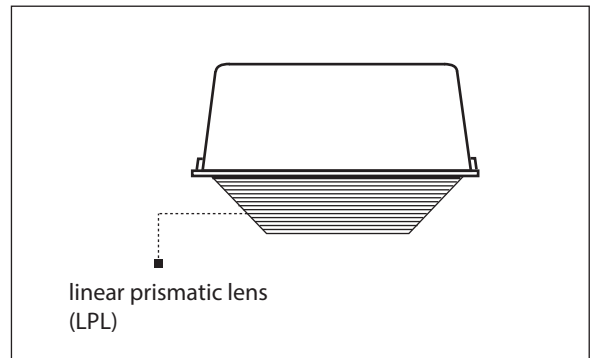
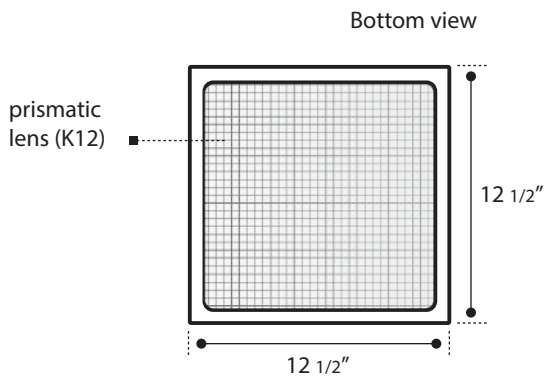
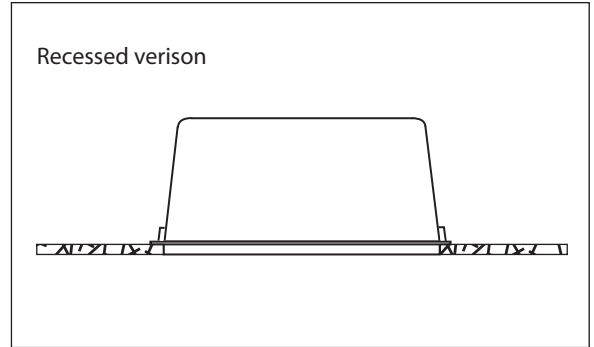
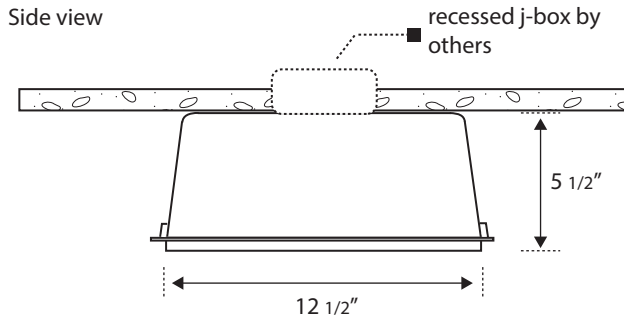
Date Modified: 04-08-2025





Dimensions & Mounting:

Please note that drawings are not to scale.



Listing:

Complies to CSA and UL standards.

Polar Graph:

