



Date
Quote #
Project Name
Type



SDS - Pendant

Description:

Chandelier style pendant with stems and perforated dish at the bottom. The acrylic lens overlay provides a subtle glow. Available in a copper finish.

SDS - Size - Engine - Lumens - CCT - Electrical - Mounting - Lens - Pattern - Options - Finish

Name	Light Engine	Source Lumens(LED)	Color Temp	Electrical
SDS-30	30	45W LED (Max)	7034	2700K UNV 120-277V
				3000K HLV 347-480V
SDS-60	60	45W LED (Max)	7034	3500K TT Tri-Tap(HID)
				4000K MT Multi-Tap(HID)
				5000K

Contact for custom

Contact for custom

Contact for custom

Mounting	Lens	Light Pattern	Options	Finishes
R1 48" stem (Std for SDS-30)	OAL Opal acrylic lens	UD Up and down light (Std)	DM 0-10V dimming	BL Black
R2 2X48" stems (Std for SDS-60)	CGL Color glow lens		DM1 1% dimming	WH White
R3 3X48" stems			RB Remote ballast/driver	SG Silver Grey
R4 4X48" stems			SV Swivel canopy	BZ Bronze
			BG Bug shield	CP Copper
			ELB Electronic ballast (HID)	BR Brass
				CC Custom Color
				See website for custom colors. Contact factory for physical samples.

- Lumens are based on max wattage & 5000K CCT
- IES files available upon request
- Std - Standard Offering

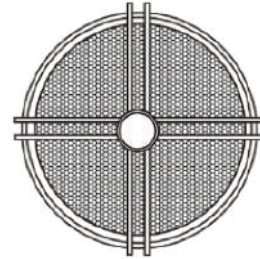
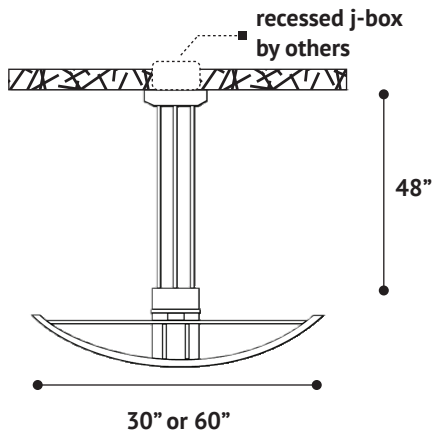




Dimensions & Mounting:

Please note that drawings are not to scale.

Side view



Bottom view

Listing:

Complies to CSA and UL standards.

Polar Graph:

