



Date
Quote #
Project Name
Type



### SCSG - Pole mount

**Description:**

SCSG is of spun aluminum. Door assembly is hinged to fixture housing for easy access and maintenance.

Name	Engine	Lumens	CCT	Electrical	Mounting	Lens	Pattern	Options	Finish
<input type="text"/>	<input type="text"/>	<input type="text"/>	<input type="text"/>	<input type="text"/>	<input type="text"/>	<input type="text"/>	<input type="text"/>	<input type="text"/>	<input type="text"/>

Name	Light Engine	Source Lumens <sub>(LED)(5000K)</sub>	Color Temp	Electrical
SCSG	288W LED (Max)	31436	3000K	UNV 120-277V
			3500K	HLV 347-480V
			4000K	
			5000K	

Contact for custom

Contact for custom

Contact for custom

Mounting	Lens	Light Pattern	Options	Finishes
ER3 Arm for round or square pole	CPL Clear polycarbonate lens (Std)	TY5 Type V (Std)	SD Step dimming	Standard
			MS Motion sensor	BL Black
SPD Spider pole mount	CG Clear glass lens	TY4 Type IV	TCO Trespass cut off	WH White
			PR Prismatic lens (K12)	TY3 Type III
		TYII Type II		EM Emergency battery
			SF Single fuse	
			DF Double fuse	Custom
			PC Button photocell	CC Custom Color
			PCR Photocell receptacle	See website for custom colors. Contact factory for physical samples.

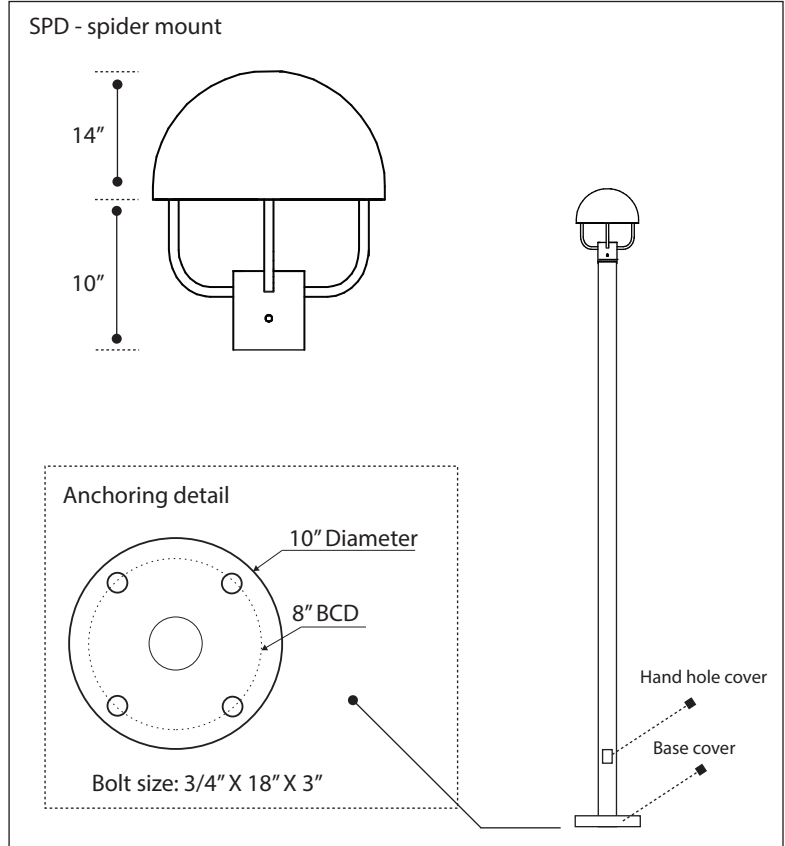
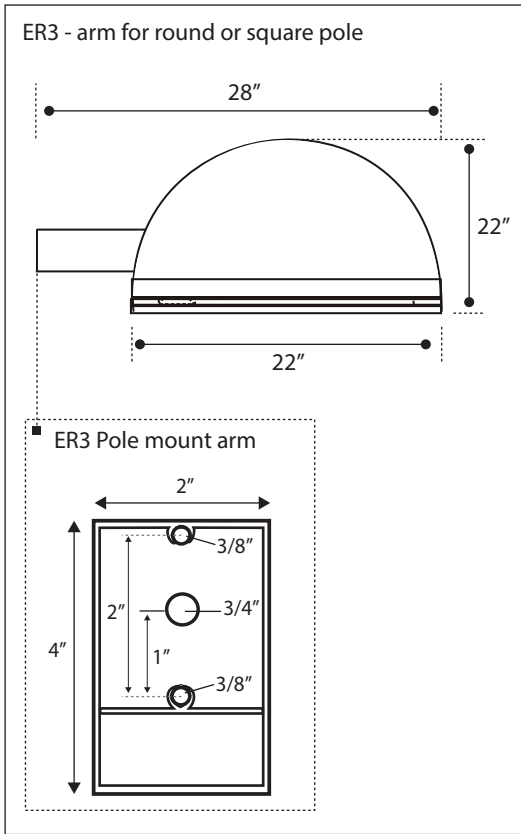
- Lumens are based on max wattage & 5000K CCT
- IES files available upon request
- Std - Standard Offering





**Dimensions & Mounting:**

Please note that drawings are not to scale.

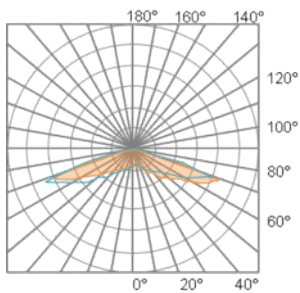


**Listing:**

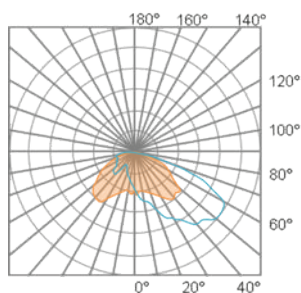
Complies to CSA and UL standards.

**Polar Graph:**

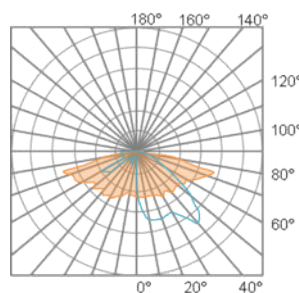
TY5



TY4



TY3



TY2

