



Date
Quote #
Project Name
Type



## SAT-S - Pendant

### Description:

Extruded aluminum housing with 3 vertical decorative bars and lens on the bottom. All external hardware is stainless steel.

Name  - Engine  - Lumens  - CCT  - Electrical  - Mounting  - Lens  - Pattern  - Options  - Finish

Name	Light Engine	Source Lumens <sub>(LED)(5000K)</sub>	Color Temp	Electrical
SAT-S	3W LED (Max)	428	2700K	UNV 120-277V
			3000K	HLV 347-480V
			3500K	
			4000K	
			5000K	
	Contact for custom	Contact for custom	Contact for custom	

Mounting	Lens	Light Pattern	Options	Finishes
AC24 24" aircraft cable	CG Clear glass lens (Std)	D Down light (Std)	DM 0-10V dimming	Standard
CM Ceiling mount			DM1 1% dimming	BL Black
			OCD Off center disk	WH White
				SG Silver Grey
				BZ Bronze
				Custom
				CC Custom Color
				See website for custom colors. Contact factory for physical samples.

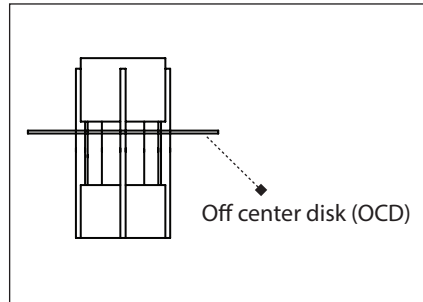
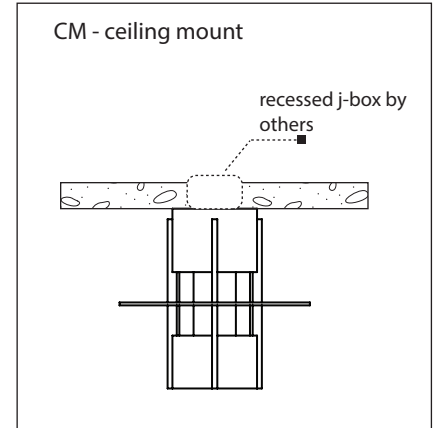
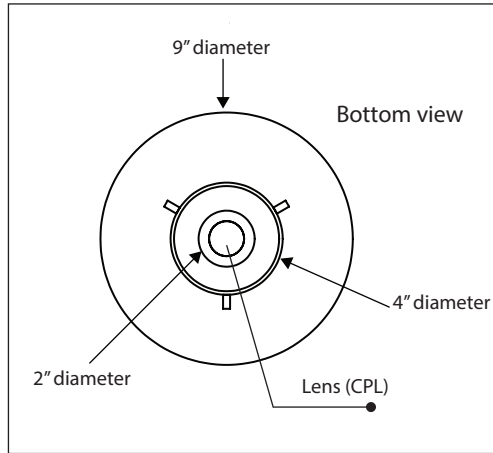
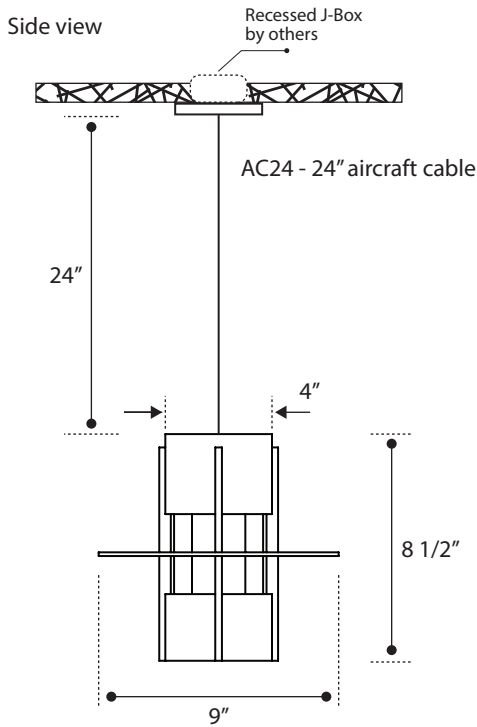
- Lumens are based on max wattage & 5000K CCT
- IES files available upon request
- Std - Standard Offering





**Dimensions & Mounting:**

Please note that drawings are not to scale.



**Listing:**

Complies to CSA and UL standards.

**Polar Graph:**

