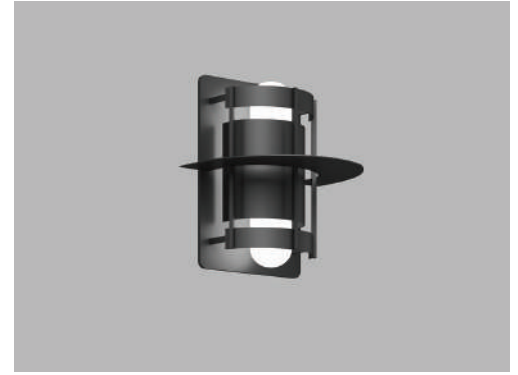




Date
Quote #
Project Name
Type



SAT - Wall Mount

Description:

Fabricated aluminum housing with 3 vertical trusses supporting upper and lower glare shields and one center disk. Lamp is enclosed in a prismatic bullet lens (Std). Gasketed connections for full weather-proof protection.

Name - Engine - Lumens - CCT - Electrical - Mounting - Lens - Pattern - Options - Finish

Name	Light Engine	Source Lumens _{(LED)(5000K)}	Color Temp	Electrical
SAT	2X20W LED (Max)	5388	2700K	UNV 120-277V
			3000K	HLV 347-480V
			3500K	
			4000K	
			5000K	
	Contact for custom	Contact for custom	Contact for custom	

Mounting		Lens		Light Pattern		Options		Finishes	
WM	Wall mount	PGB	Prismatic glass bullet (Std)	UD	Up and down light (Std)	PC	Button photocell	Standard	
								BL	Black
		CGB	Clear glass bullet	D	Down light only	SF	Single fuse	WH	White
								SG	Silver Grey
		U	Up light only	DM	0-10V dimming	OCD	Off center disk	BZ	Bronze
								Custom	
WL	Wet location	TP	Tamperproof hardware	CC	Custom Color	See website for custom colors. Contact factory for physical samples.			

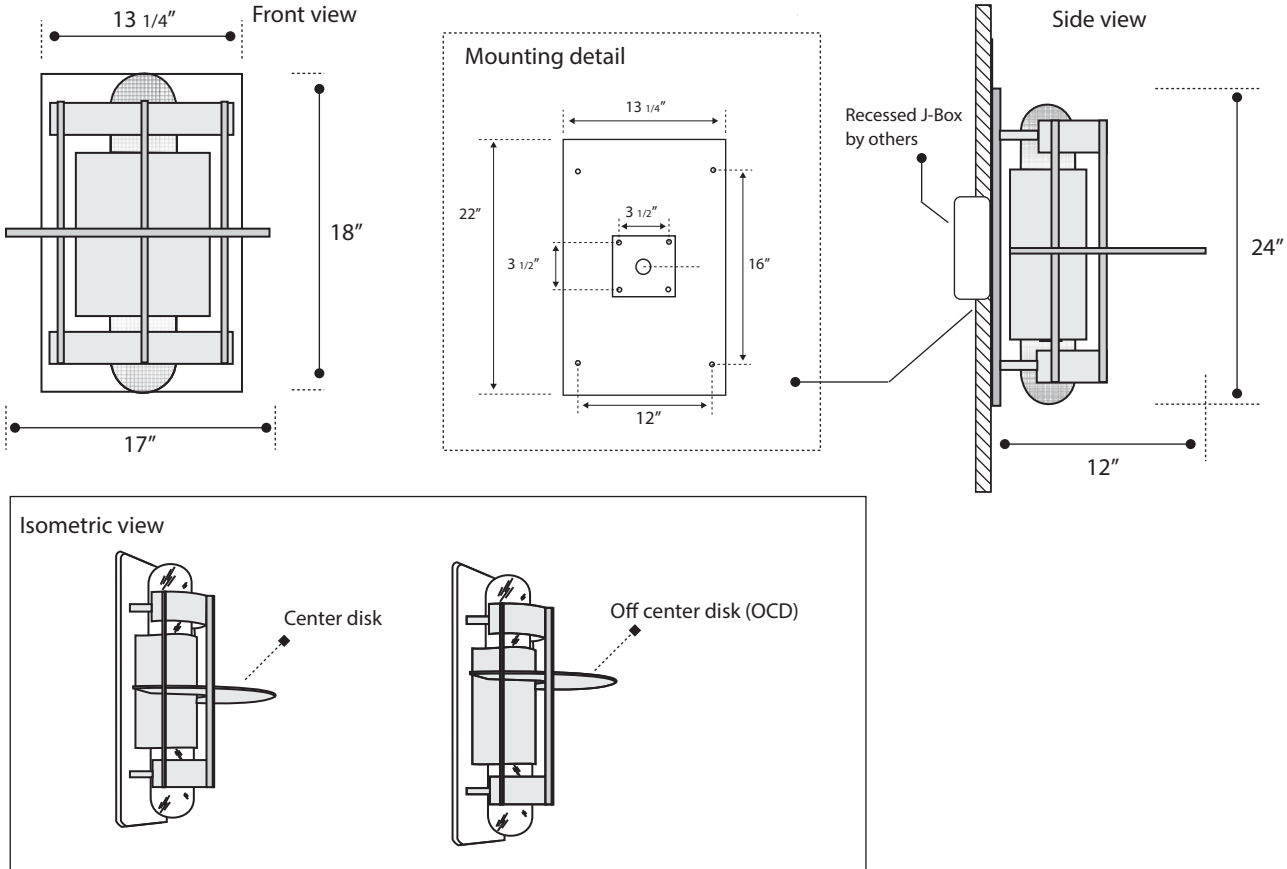
- Lumens are based on max wattage & 5000K CCT
- IES files available upon request
- Std - Standard Offering





Dimensions & Mounting:

Please note that drawings are not to scale.



Listing:

Complies to CSA and UL standards.

Polar Graph:

