

Date: _____

Type: _____

Project: _____



SAIL - POST TOP

A post top that distributes light indirectly. Constructed from extruded aluminum with a reflector held up by arms that could either be designed to face straight downwards or in an angular manner emitting symmetric or asymmetrical light distribution.

Name	Lamping*	Lumen*	Color Temp	Electrical	Mounting
SAIL	60 W LED	10560	5000K	UNV 120-277V	PM Pole Mount
			4000K	HLV 347-480V	WM Wall Mount
			3500K		
			3000K		
Contact for other wattages		Contact for custom			

Lens	Reflector & Light Pattern	Options	Finishes
CL Clear lens (Std)	ASY Asymmetrical light distribution	TP Tamperproof Hardware	BL Black
	SYM Symmetrical light distribution	TS Tamperproof Screws	WH White
		PC Button Photocell, voltage specific	SG Silver Grey
			BZ Bronze
			CC Custom Color

[See finishes info on website](#)

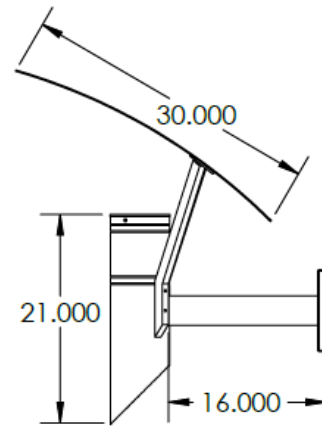
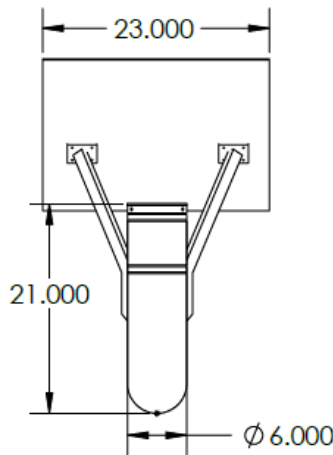
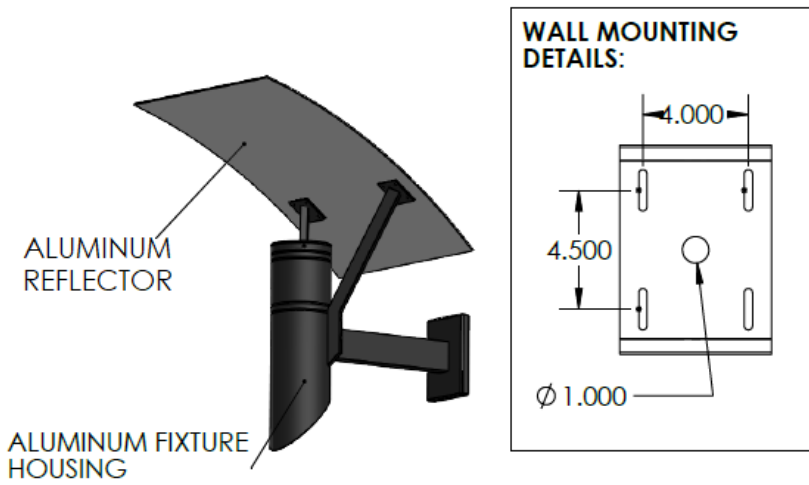
*Lumens are based on Max Wattage and 5000K CCT
 *Specific IES Files available upon request
 Std – Standard Offering

SAIL- _____

Customization Notes:

▶▶▶ Info on this spec sheet will change without notice as product development is an ongoing process.

Dimensions & Mounting (measurements in inches; drawings are not to scale)



Available Mounting Options:



SAIL-ASY-WM



SAIL-SYM-WM



SAIL-ASY-PM



SAIL-SYM-PM