



|              |
|--------------|
| Date         |
| Quote #      |
| Project Name |
| Type         |



## RXC - Ceiling Recessed

### Description:

Spun aluminum lamp housing with a flat door frame and trim. All external hardware is stainless steel.

Name  - Engine  - Lumens  - CCT  - Electrical  - Mounting  - Lens  - Pattern  - Options  - Finish

| Name | Light Engine | Source Lumens <sub>(LED)(5000K)</sub> | Color Temp | Electrical   |
|------|--------------|---------------------------------------|------------|--------------|
| RXC  | 60 LED (Max) | 6247                                  | 2700K      | UNV 120-277V |
|      |              |                                       | 3000K      | HLV 347-480V |
|      |              |                                       | 3500K      |              |
|      |              |                                       | 4000K      |              |
|      |              |                                       | 5000K      |              |

Contact for custom

Contact for custom

Contact for custom

| Mounting                 | Lens                      | Light Pattern | Options                 | Finishes   |
|--------------------------|---------------------------|---------------|-------------------------|--|
| RTC Recessed in concrete | CG Clear glass lens (Std) | D Down light  | TP Tamperproof hardware | Standard   |
|                          | PG Prismatic glass lens   |               | TS Tamperproof screws   | BL Black   |
|                          |                           |               | SF Single fuse          | WH White   |
|                          |                           |               | EM Emergency battery    | SG Silver Grey   |
|                          |                           |               |                         | BZ Bronze  |
|                          |                           |               |                         | Custom   |
|                          |                           |               |                         | CC Custom Color  |
|                          |                           |               |                         | See website for custom colors. Contact factory for physical samples. |

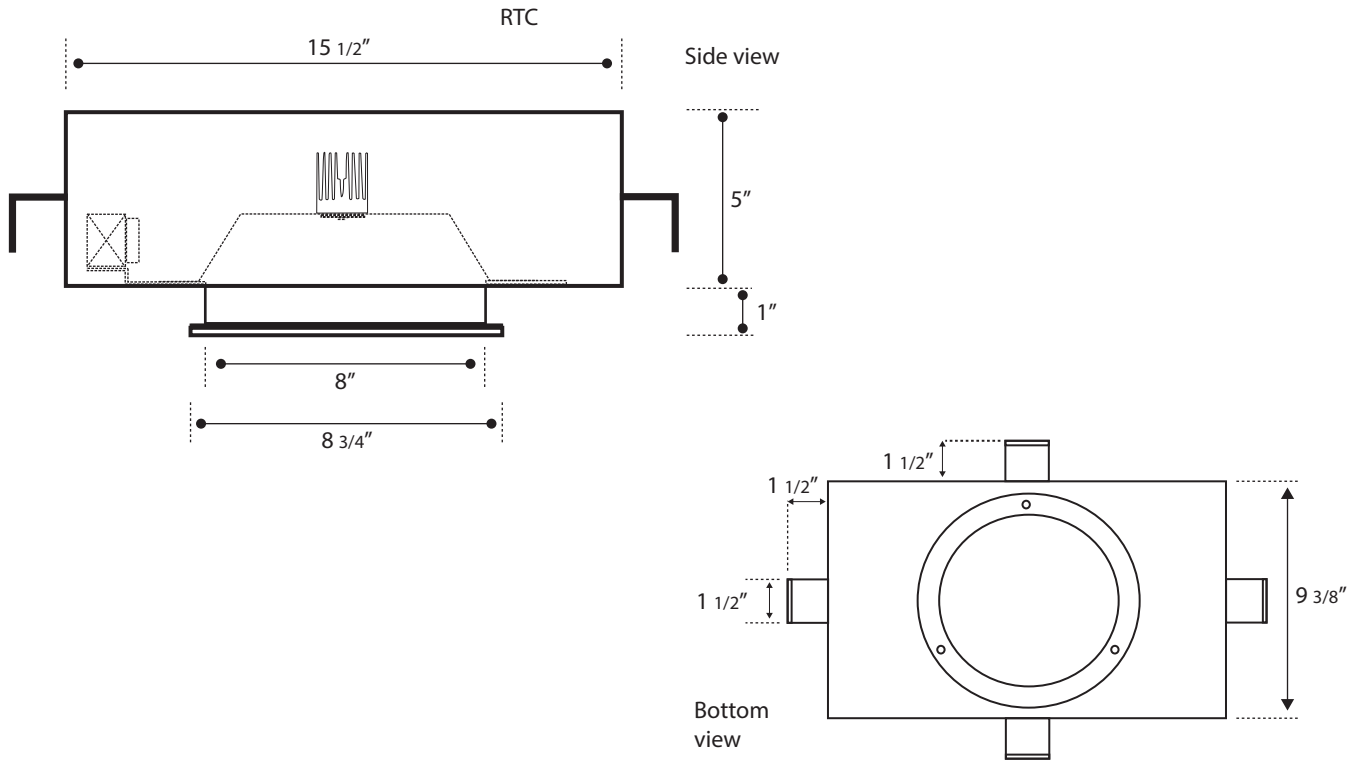
- Lumens are based on max wattage & 5000K CCT
- IES files available upon request
- Std - Standard Offering





**Dimensions & Mounting:**

Please note that drawings are not to scale.



**Listing:**

Complies to CSA and UL standards.

**Polar Graph:**

