

Date:

Type:

Project:



RUS PENDANT

Luminaire features an extruded aluminum conical shade with simple modern design. Gives downward illumination. See the Pole Mount version under Exterior Luminaires. Designed for indoor & outdoor applications.

Name	Dimensions (in inches)	Lamping	Lumens*	Color Temperature	Electrical			Mounting Options
RUS	24" x 17"	144W LED	20,800	5000K 4000K 3500K 3000K	UNV HLV	120-277V 347-480V	P AC PM	24" sturdy pendant stem Aircraft cable, 48" standard length Pole mounted, see under Exterior Luminaire

Contact Factory for other mounting options

	Lens		Light Pattern		Options		Finishes
CPL	Flat clear lens (Std)	D	Down light only	DM	0-10V dimming	BL	Black
OPL	Flat opal lens			DM1	1% dimming	BZ	Bronze
SAG	Sag lens			SV	Swivel canopy	WH	White
				EM	Emergency driver	SG	Silver Grey
				RB	Remote driver	BA4	Brushed Aluminum #4
						CC	Custom Color

Contact factory for varying finishes.
[See finishes info on website](#)

*Lumens are based on Max Wattage and 5000K CCT

*Specific IES Files available upon request

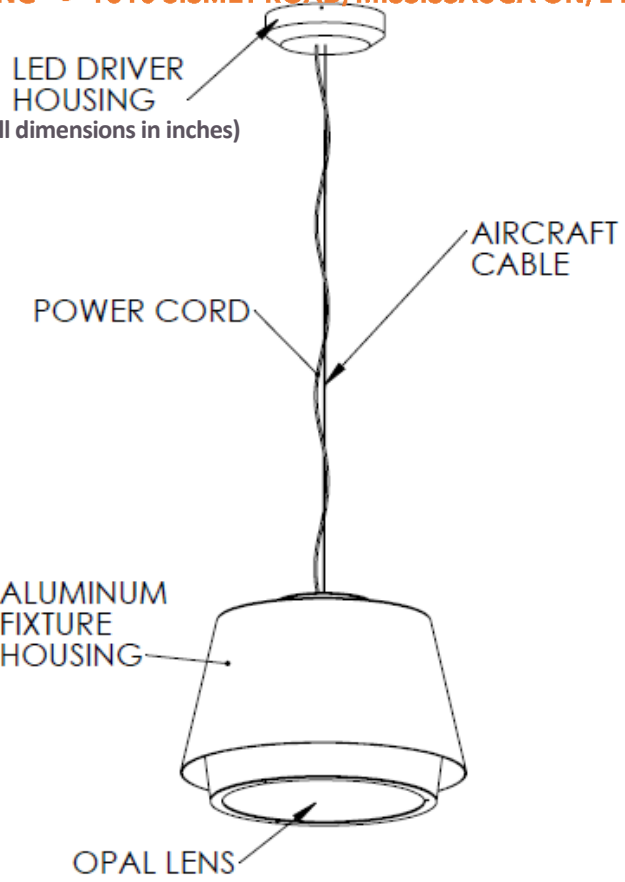
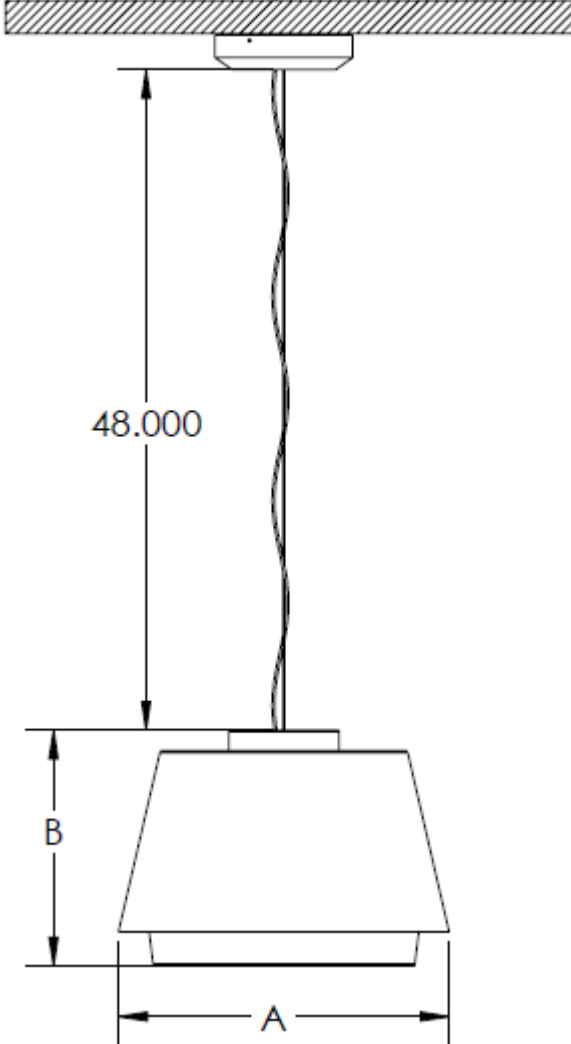
Std – Standard Offering

RUS- _____

Customization Notes:

→ Info on this spec sheet will change without notice as product development is an ongoing process.

Dimensions & Mounting (drawings are not to scale; all dimensions in inches)



PRODUCT	DIM "A"	DIM "B"
RUS	24.00	17.00

