



Date
Quote #
Project Name
Type



RLM - Pendant

Description:

RLM consists of an extruded aluminum enclosure for the driver and a spun aluminum bottom. A bullet lens is standard. All external hardware is stainless-steel.

Name	Engine	Lumens	CCT	Electrical	Mounting	Lens	Pattern	Options	Finish
<input type="text"/>	<input type="text"/>	<input type="text"/>	<input type="text"/>	<input type="text"/>	<input type="text"/>	<input type="text"/>	<input type="text"/>	<input type="text"/>	<input type="text"/>

Name	Light Engine	Source Lumens _{(LED)(5000K)}	Color Temp	Electrical
RLM-13	13" 20W LED (Max)	2578	2700K	UNV 120-277V
RLM-16	16" 30W LED (Max)	3912	3000K	HLV 347-480V
RLM-18	18" 40W LED (Max)	6228	3500K	
			4000K	
			5000K	

Contact for custom Contact for custom Contact for custom

Mounting	Lens	Light Pattern	Options	Finishes
P36 36" pendant stem	CGB Clear bullet lens (std)	D Down light	DM 0-10V dimming	Standard
AC36 36" aircraft cable	OGB Opal bullet lens		DM1 1% dimming	BL Black
WALL MOUNT (See below)			SF Single fuse	WH White
E2B E2 bracket arm			WL Wet location	SG Silver Grey
EG28 28" goose neck arm			WG Wire guard	BZ Bronze
			RB Remote ballast/driver	Custom
				CC Custom Color

See website for custom colors. Contact factory for physical samples.

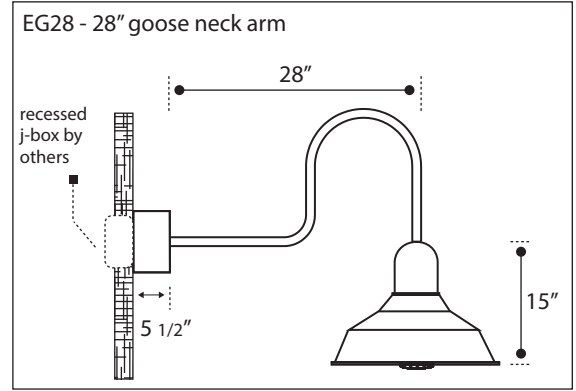
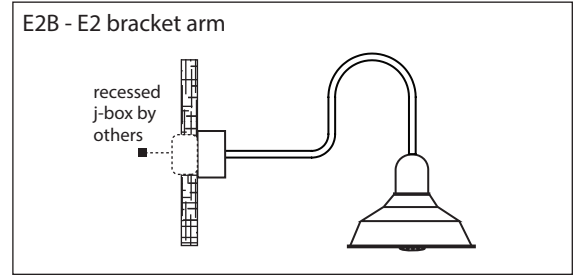
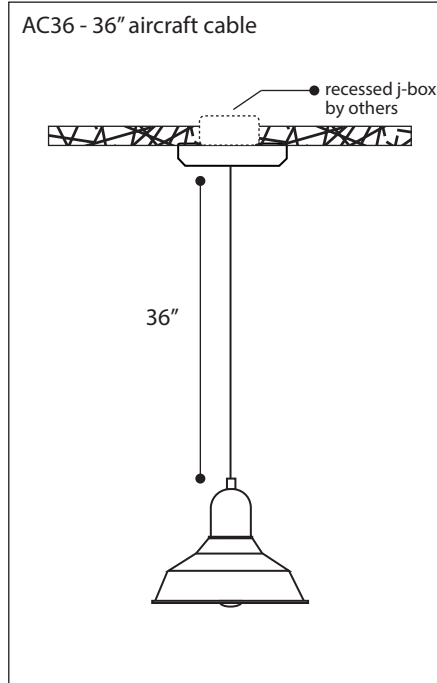
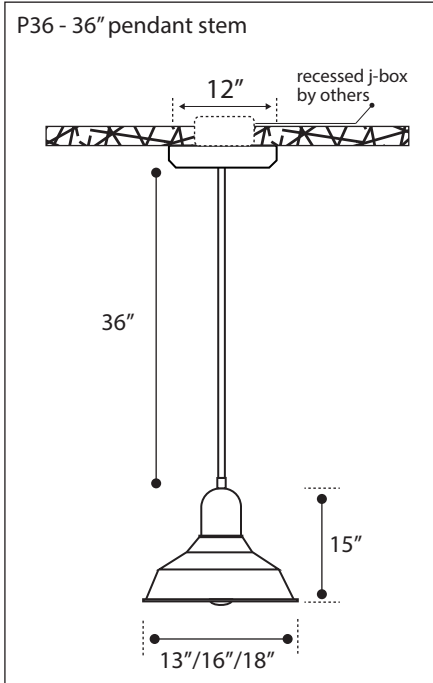
- Lumens are based on max wattage & 5000K CCT
- IES files available upon request
- Std - Standard Offering





Dimensions & Mounting:

Please note that drawings are not to scale.



Listing:

Complies to CSA and UL standards.

Polar Graph:

