



Date
Quote #
Project Name
Type



QUAD - Light Column

Description:

Heavy duty extruded aluminum housing construction with opal acrylic lenses (one per side is standard). Choose between a 6X6 or 8X8 square, and standard heights are 10 or 16 feet. Custom sizes available: contact factory.

Name - Engine - Lumens - CCT - Electrical - Mounting - Lens - Pattern - Options - Finish

Name	Light Engine	Source Lumens _{(LED)(5000K)}	Color Temp	Electrical
QUAD-6	6-10 36 LED (Max)	6336	3000K	UNV 120-277V
QUAD-8	6-16 60 LED (Max)	10560	3500K	HLV 347-480V
	8-10 48 LED (Max)	8448	4000K	
	8-16 72 LED (Max)	12672	5000K	

Contact for custom Contact for custom Contact for custom

Mounting	Lens	Light Pattern	Options	Finishes
ABT Anchor, bolts and template	OAL Opal acrylic lens	4W 4 Windows, type V (Std)	SD Step dimming	Black
			MS Motion sensor	BL Black
			EM Emergency battery	WH White
			TP Tamperproof hardware	SG Silver Grey
			TS Tamperproof screws	BZ Bronze
			PC Button photocell	Custom
			GFR Ground fault receptacle	CC Custom Color
			COM Intercom	See website for custom colors. Contact factory for physical samples.
			SF Single fuse	
			BC Base cover	
			TCO Trespass cut off	

• Lumens are based on max wattage & 5000K CCT
 • IES files available upon request
 • Std - Standard Offering

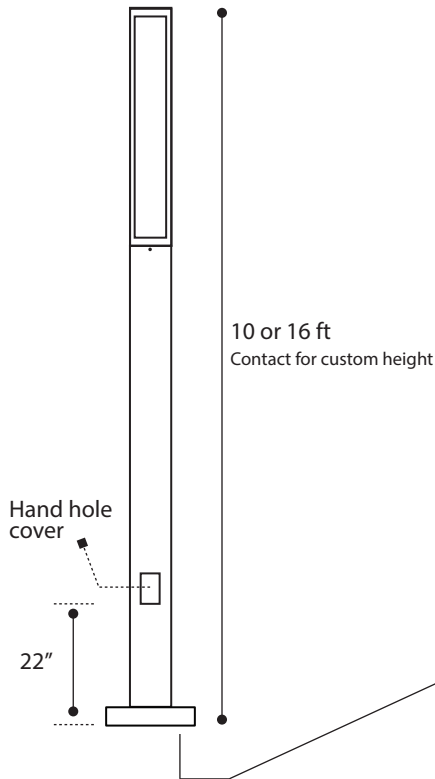




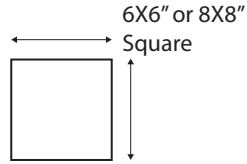
Dimensions & Mounting:

Please note that drawings are not to scale.

Side view

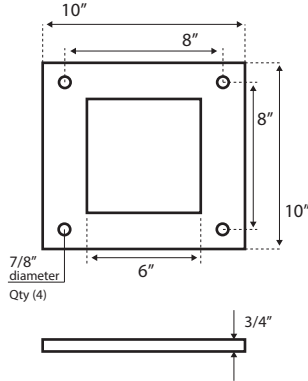


Top view

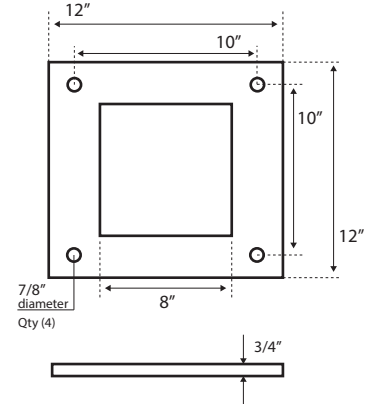


Anchoring details

QUAD-6 (Base Plate)



QUAD-8 (Base Plate)



Listing:

Complies to CSA and UL standards.

Polar Graph:

