

Date:

Type:

Project:



### OUTDOOR GLOBE POST TOP ITL/ITC

The Outdoor Globe Series uses an architectural grade seamless acrylic sphere. The standard is opal acrylic globe. Can be mounted in clusters or individually; on poles or from walls, on straight or gooseneck arm. Contact Solera for indoor application.

Name	Size	Lamping	Lumens*	Color Temp	Electrical	Mounting
GLOBE	12	12W LED	2112	3000K	UNV 120-277V	PT3 Slips over 3" pole
	14	18W LED	3168	3500K	HLV 347-480V	PT4 Slips over 4" pole
	16	30W LED	5280	4000K		PIER Pier mount
	18	48W LED	8448	5000K		DCA Decorative arm
	20	60W LED	10560			GN Goose neck arm
	22	72W LED	12672			

Contact for custom mounting options  
[See bases & poles under brochures](#)

Lens	Light Pattern	Options	Finishes
ITL Opal acrylic lens (Std)	TY5 Type V distribution (Std)	LVR Internal louvers, for ITC only	BL Black
ITC Clear acrylic lens		DM 0-10V Dimming	BZ Bronze
		TP/TS Tamperproof hardware & screws	WH White
		PC Button photocell, voltage specific	SG Silver Grey
		ITL-P Opal polycarbonate lens	CC Custom Color
		ITC-P Clear polycarbonate lens	BA4 Brushed Aluminum #4

Contact for other lens colors  
[See finishes info on website](#)

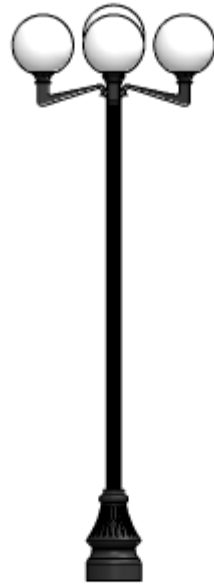
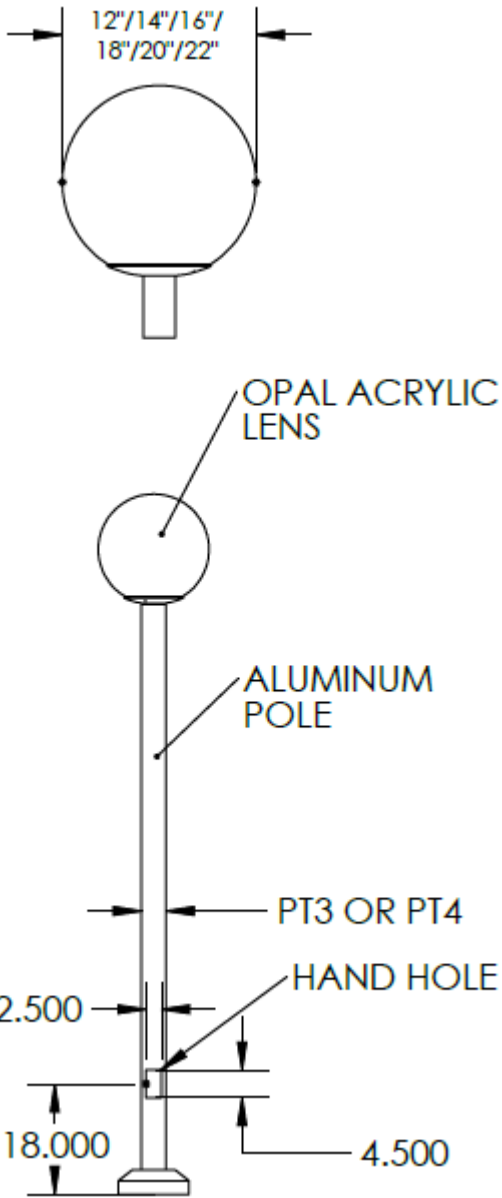
\*Lumens are based on Wattage, Type V Distribution, and 5000K CCT  
 Std – Standard Offering

GLOBE- \_\_\_\_\_

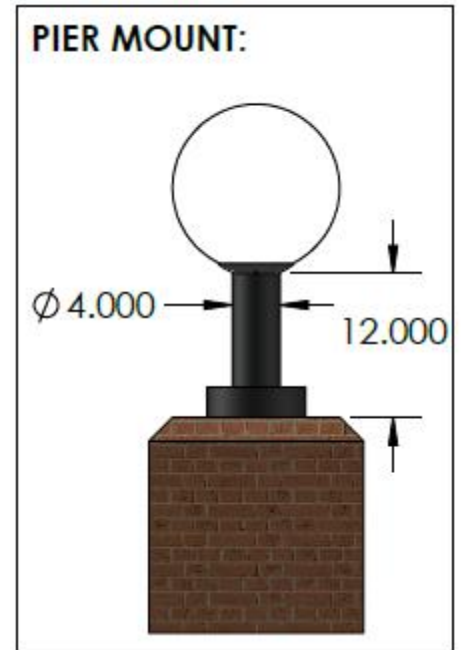
Customization Notes:

→ Info on this spec sheet will change without notice as product development is an ongoing process.

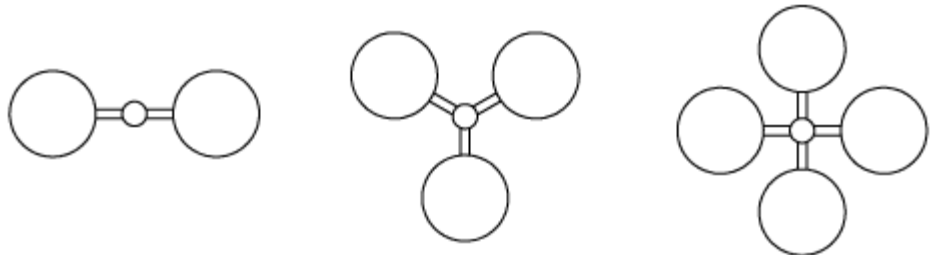
**Dimensions & Mounting** (drawings are not to scale; all dimensions in inches)



**AVAILABLE IN VINTAGE ARCHITECTURAL DESIGN (CONTACT FACTORY)**



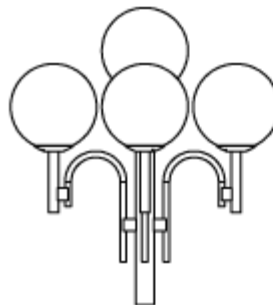
**POLE MOUNTING OPTIONS:**



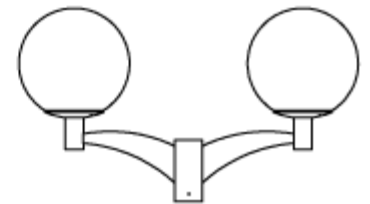
**2XITL**

**3XITL**

**4XITL**



**AVAILABLE IN GOOSE NECK CLUSTER (CONTACT FACTORY)**



**AVAILABLE IN DCA ARM (CONTACT FACTORY)**