

Date:

Type:

Project:



OUTDOOR GLOBE WALL MOUNTED ITL/ITC

The Outdoor Globe Series uses an architectural grade seamless acrylic sphere. The standard is opal acrylic globe with straight arm mounting. Contact Solera for indoor application.

Name	Size	Lamping	Lumens*	Color Temp	Electrical		Wall Mounting	
GLOBE	12	12W LED	2112	3000K	UNV	120-277V	WM	Straight arm, see next page for lengths
	14	18W LED	3168	3500K	HLV	347-480V	CA1	Curved arm 1, see next page for image
	16	30W LED	5280	4000K			CA2	Curved arm 2, see next page for image
	18	48W LED	8448	5000K			GN	Goose neck arm
	20	60W LED	10560					
	22	72W LED	12672					

Contact for custom options
[See bases & poles under brochures](#)

Lens		Light Pattern		Options		Finishes	
ITL	Opal acrylic lens (Std)	TY5	Type V distribution (Std)	LVR	Internal louvers, for ITC only	BL	Black
ITC	Clear acrylic lens			DM	0-10V Dimming	BZ	Bronze
				TP/TS	Tamperproof hardware & screws	WH	White
				PC	Button photocell, voltage specific	SG	Silver Grey
				ITL-P	Opal polycarbonate lens		
				ITC-P	Clear polycarbonate lens		
						BA4	Brushed Aluminum #4
						CC	Custom Color

Contact for other lens colors [See finishes info on website](#)

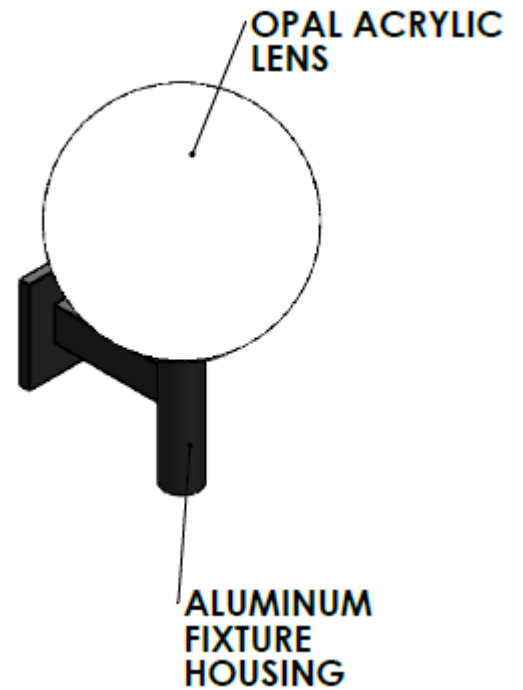
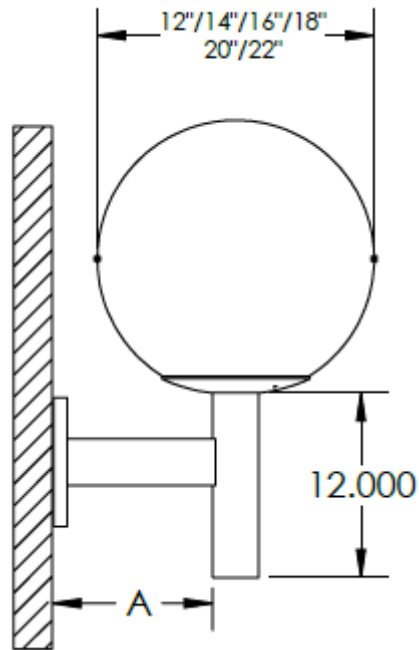
*Lumens are based on Wattage, Type V Distribution, and 5000K CCT
Std – Standard Offering

GLOBE- _____

Customization Notes:

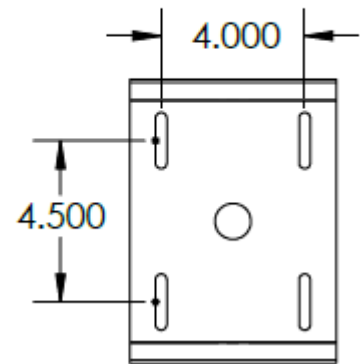
→ Info on this spec sheet will change without notice as product development is an ongoing process.

Dimensions & Mounting (drawings are not to scale; all dimensions in inches)

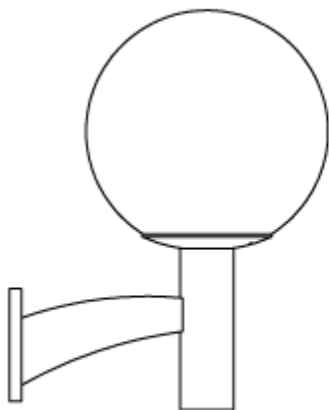


MOUNTING DETAILS:

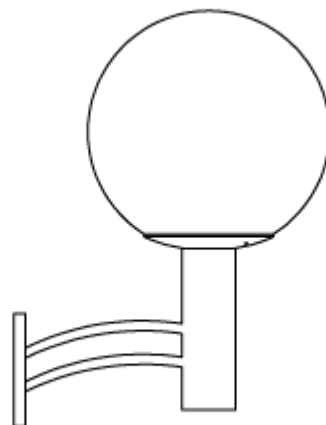
FIXTURE	DIM "A"
ITL-12	7.5
ITL-14	8.5
ITL-16	9.5
ITL-18	10.5"
ITL-20	11.5
ITL-22	12.5



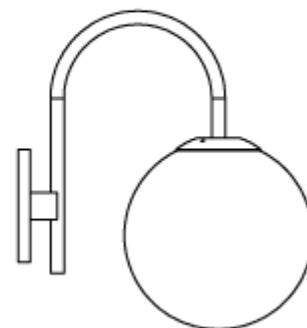
MOUNTING OPTIONS:



CURVED ARM-1



CURVED ARM-2



GN ARM