

Date:

Type:

Project:



OUTDOOR GLOBE POST TOP ITL/ITC

The Outdoor Globe Series uses an architectural grade seamless acrylic sphere. The standard is opal acrylic globe. Can be mounted in clusters or individually; on poles or from walls, on straight or gooseneck arm. Contact Solera for indoor application.

Name	Size	Lamping	Lumens*	Color Temp	Electrical	Mounting
GLOBE	12	12W LED	2112	3000K	UNV 120-277V	PT3 Slips over 3" pole
	14	18W LED	3168	3500K	HLV 347-480V	PT4 Slips over 4" pole
	16	30W LED	5280	4000K		PIER Pier mount
	18	48W LED	8448	5000K		DCA Decorative arm
	20	60W LED	10560			GN Goose neck arm
	22	72W LED	12672			

Contact for custom mounting options
[See bases & poles under brochures](#)

Lens		Light Pattern		Options		Finishes	
ITL	Opal acrylic lens (Std)	TY5	Type V distribution (Std)	LVR	Internal louvers, for ITC only	BL	Black
ITC	Clear acrylic lens			DM	0-10V Dimming	BZ	Bronze
				TP/TS	Tamperproof hardware & screws	WH	White
				PC	Button photocell, voltage specific	SG	Silver Grey
				ITL-P	Opal polycarbonate lens		
				ITC-P	Clear polycarbonate lens		
						CC	Custom Color
						BA4	Brushed Aluminum #4

Contact for other lens colors
[See finishes info on website](#)

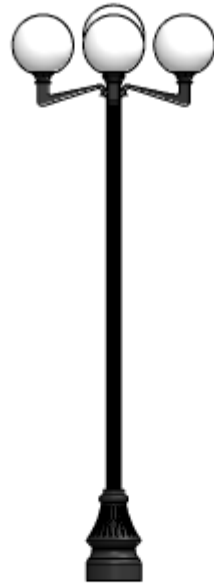
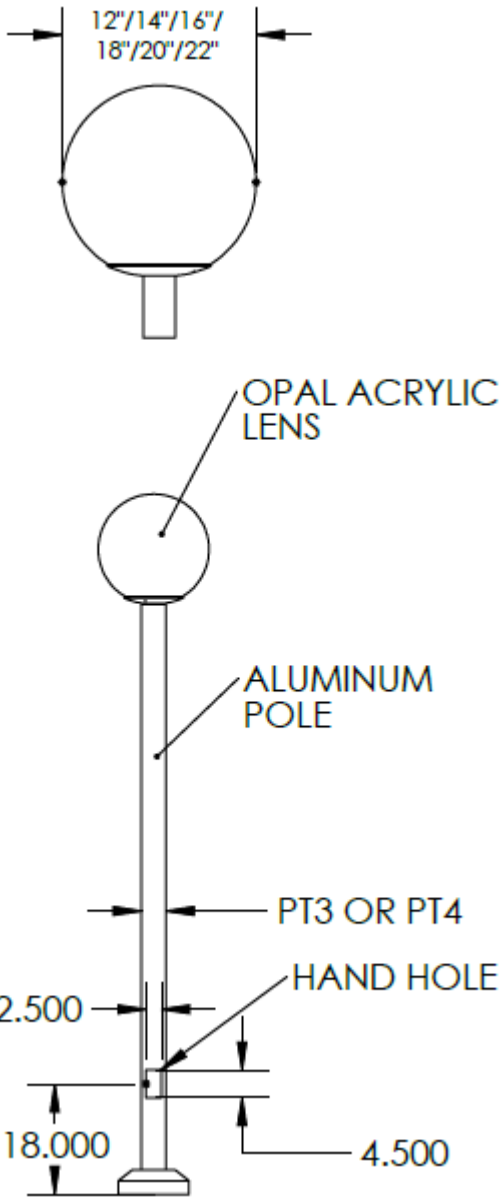
*Lumens are based on Wattage, Type V Distribution, and 5000K CCT
 Std – Standard Offering

GLOBE- _____

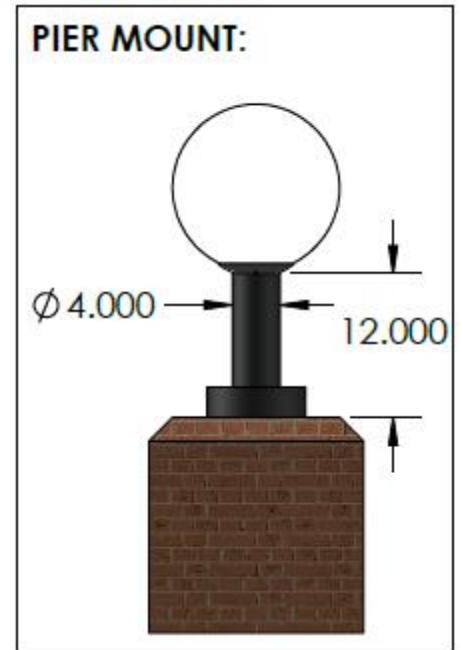
Customization Notes:

→ Info on this spec sheet will change without notice as product development is an ongoing process.

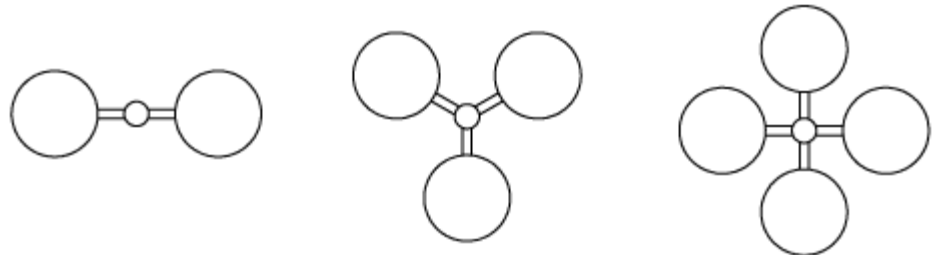
Dimensions & Mounting (drawings are not to scale; all dimensions in inches)



AVAILABLE IN VINTAGE ARCHITECTURAL DESIGN (CONTACT FACTORY)



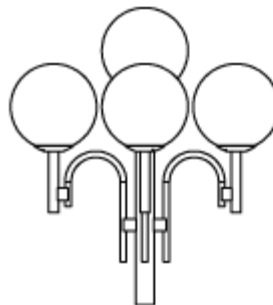
POLE MOUNTING OPTIONS:



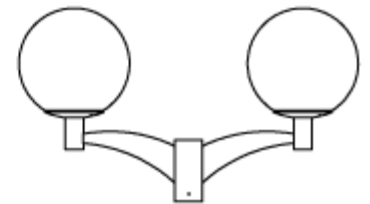
2XITL

3XITL

4XITL



AVAILABLE IN GOOSE NECK CLUSTER (CONTACT FACTORY)



AVAILABLE IN DCA ARM (CONTACT FACTORY)