



Date
Quote #
Project Name
Type



## OTAY - Post Top

### Description:

Fixture housing is constructed from die-cast and spun aluminum for durability. Weatherproof silicone sealed gasket for extra protection. Available as a wall mount luminaire.

Name  - Size  - Engine  - Lumens  - CCT  - Electrical  - Mounting  - Lens  - Pattern  - Options  - Finish

Name	Light Engine	Source Lumens <sub>(LED)(5000K)</sub>	Color Temp	Electrical
OTAY	45W LED (Max)	6929	3000K	UNV 120-277V
			3500K	HLV 347-480V
			4000K	
			5000K	

Contact for custom

Contact for custom

Contact for custom

Mounting	Lens	Light Pattern	Options	Finishes
PT3 Post top slips over 3" dia pole	CG Clear glass lens (Std)	TY5 Type V (Std)	SD Step dimming	Standard
				BL Black
PT4 Post top slips over 4" dia pole	CPL Clear polycarbonate lens	TY3 Type III	MS Motion sensor	WH White
			PC Button photocell	SG Silver Grey
WM Wall mount	SAG Clear SAG lens		SF Single fuse	BZ Bronze
			TCO Trespass cut off	Custom
			TP Tamperproof hardware	CC Custom Color
			TS Tamperproof screws	See website for custom colors. Contact factory for physical samples.

- Lumens are based on max wattage & 5000K CCT
- IES files available upon request
- Std - Standard Offering

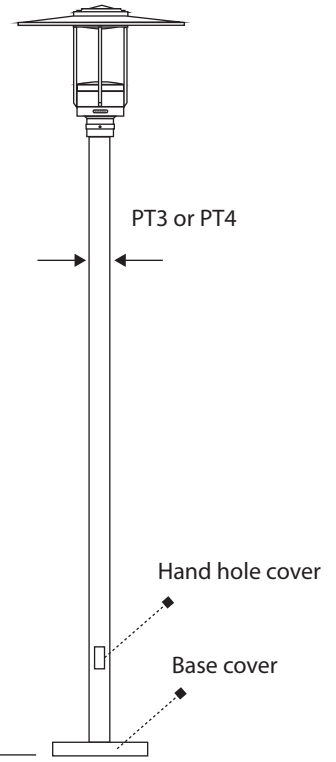
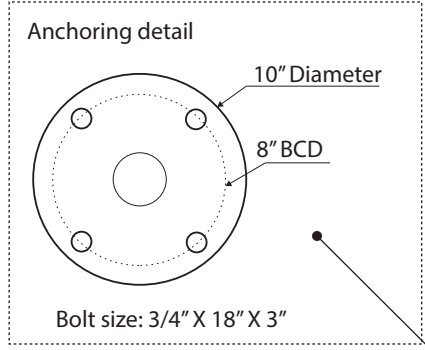
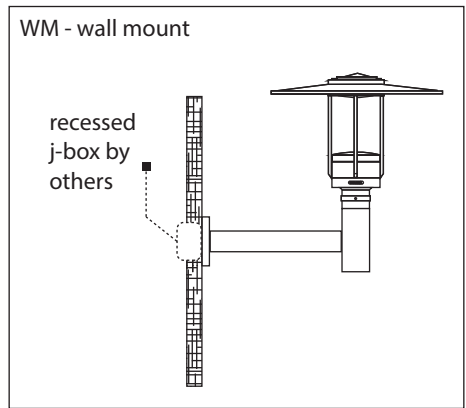
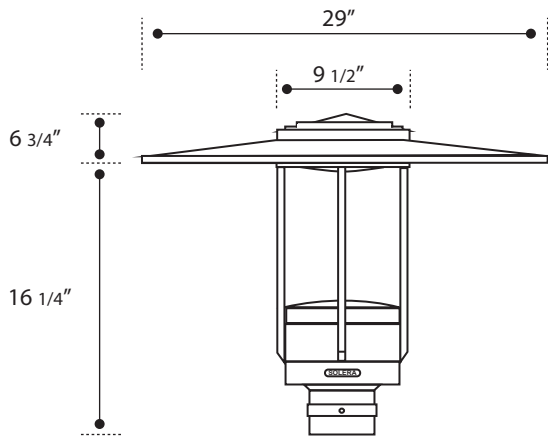




**Dimensions & Mounting:**

Please note that drawings are not to scale.

Side view



**Listing:**

Complies to CSA and UL standards.

**Polar Graph:**

