

Date:

Type:

Project:



**MILL BOLLARD**

A bollard with rustic design. Made from extruded aluminum. The luminaire consists of a hood & reflector held up by arms. It emits light directly downwards. Designed to compliment nature for a contemporary appeal. Hood size is 15” square. Over-all bollard height is 40”. Contact Solera for the wall mount & post top versions.

| Name                       | Lamping* | Lumens* | Color Temp                       | Electrical                   | Mounting                       |
|----------------------------|----------|---------|----------------------------------|------------------------------|--------------------------------|
| MILL-BLD                   | 40 W LED | 3691    | 5000K<br>4000K<br>3500K<br>3000K | UNV 120-277V<br>HLV 347-480V | ABT Anchors, bolts, & template |
| Contact for other wattages |          |         | Contact for other mounting types |                              |                                |

| Lens                    | Light Pattern                 | Options                 | Finishes        |
|-------------------------|-------------------------------|-------------------------|-----------------|
| CL Clear lens (Std)     | TY5 Type V distribution (Std) | TP Tamperproof Hardware | BL Black        |
| PG Prismatic lens (K12) | TY4 Type IV distribution      | TS Tamperproof Screws   | WH White        |
| OPL Opal lens           | TY3 Type III distribution     | BC Base cover           | SG Silver Grey  |
|                         | TY2 Type II distribution      |                         | BZ Bronze       |
|                         |                               |                         | CC Custom Color |

[See finishes info on website](#)

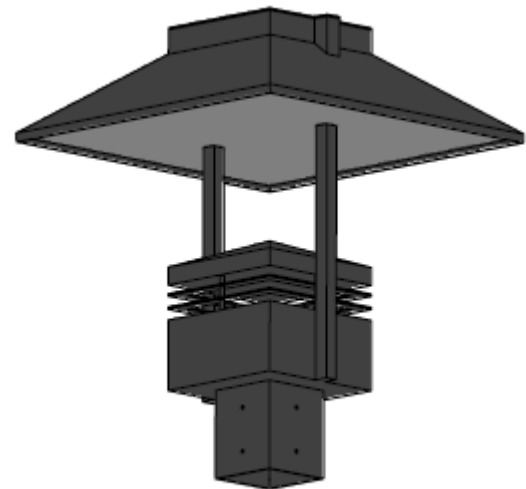
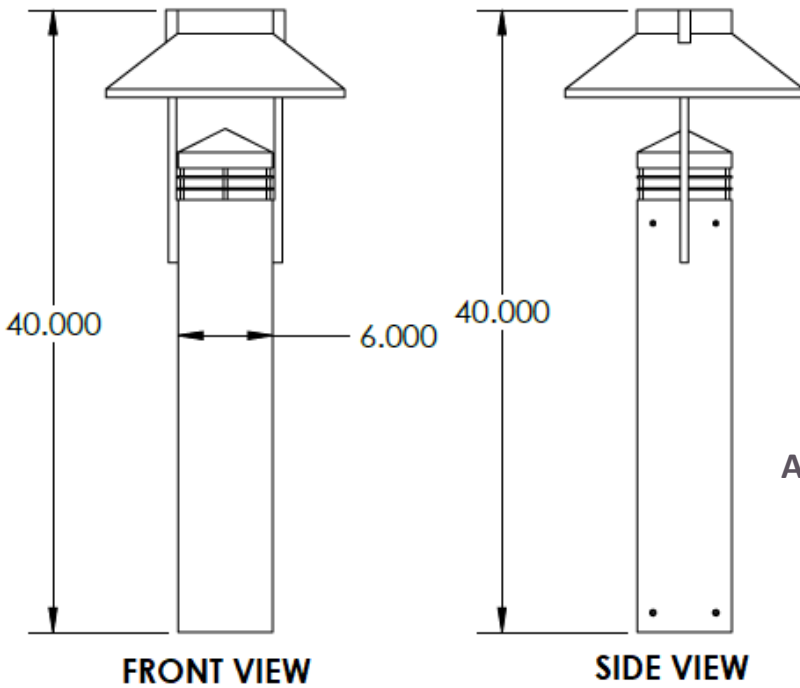
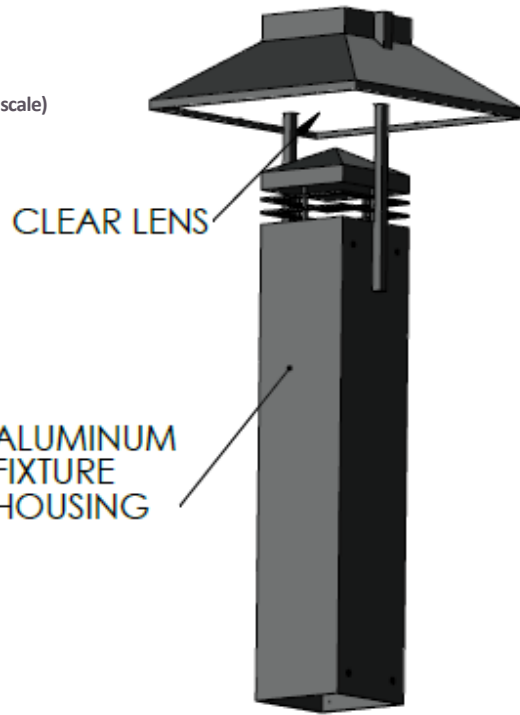
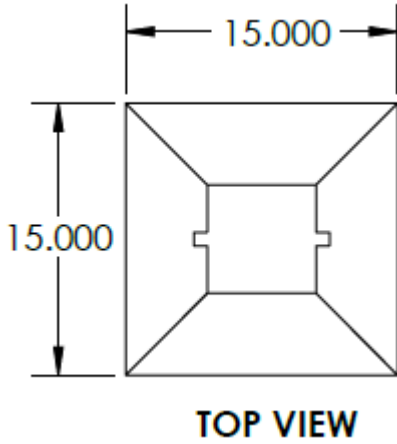
\*Lumens are based on Max Wattage and 5000K CCT  
 \*Specific IES Files available upon request  
 Std – Standard Offering

MILL-BLD- \_\_\_\_\_ - \_\_\_\_\_ - \_\_\_\_\_ - \_\_\_\_\_ - \_\_\_\_\_ - \_\_\_\_\_ - \_\_\_\_\_ - \_\_\_\_\_

**Customization Notes:**

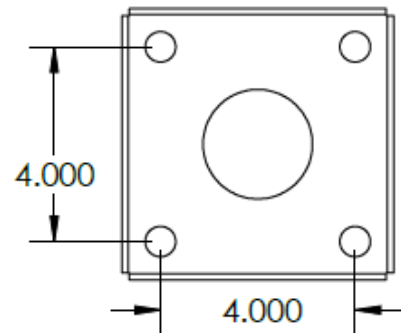
▶▶▶ Info on this spec sheet will change without notice as product development is an ongoing process.

**Dimensions & Mounting** (measurements in inches; drawings are not to scale)



**AVAILABLE IN POST TOP VERSION**

**Anchoring Details** (measurements in inches; drawings are not to scale)



**Anchorbolt Size:** 1/2" X 12" X 1-3/8"

- Hot dipped Galvanized anchor bolts
- Galvanized steel hex nuts
- Galvanized steel flat washers