

Date:

Type:

Project:



MILL BOLLARD

A bollard with rustic design. Made from extruded aluminum. The luminaire consists of a hood & reflector held up by arms. It emits light directly downwards. Designed to compliment nature for a contemporary appeal. Hood size is 15" square. Over-all bollard height is 40". Contact Solera for the wall mount & post top versions.

Name	Lamping*	Lumens*	Color Temp	Electrical	Mounting
MILL-BLD	40 W LED	3691	5000K 4000K 3500K 3000K	UNV 120-277V HLV 347-480V	ABT Anchors, bolts, & template
			Contact for other wattages		
			Contact for other mounting types		

Lens	Light Pattern	Options	Finishes
CL Clear lens (Std)	TY5 Type V distribution (Std)	TP Tamperproof Hardware	BL Black
PG Prismatic lens (K12)	TY4 Type IV distribution	TS Tamperproof Screws	WH White
OPL Opal lens	TY3 Type III distribution	BC Base cover	SG Silver Grey
	TY2 Type II distribution		BZ Bronze
			CC Custom Color

[See finishes info on website](#)

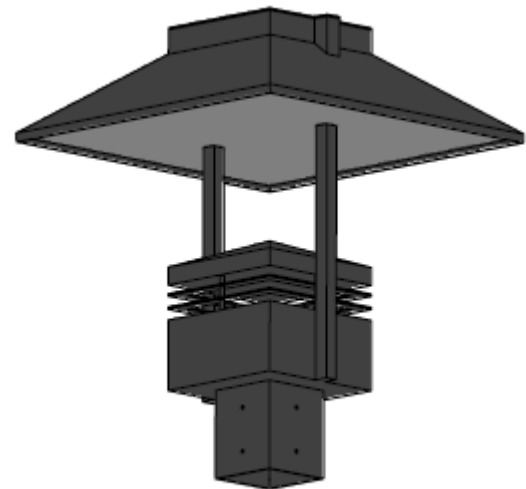
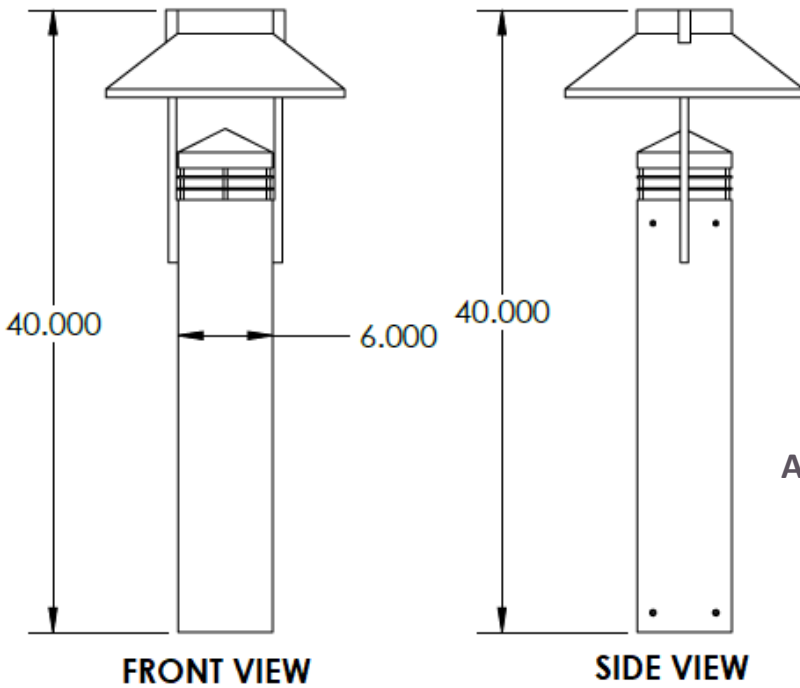
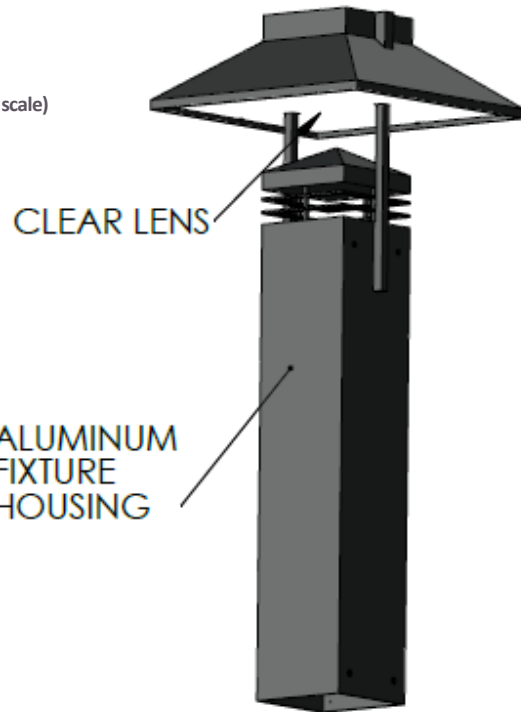
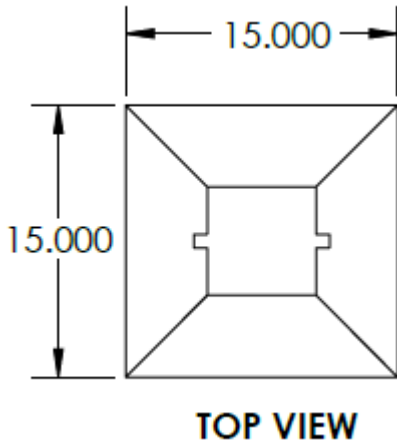
*Lumens are based on Max Wattage and 5000K CCT
 *Specific IES Files available upon request
 Std – Standard Offering

MILL-BLD- _____ - _____ - _____ - _____ - _____ - _____ - _____ - _____

Customization Notes:

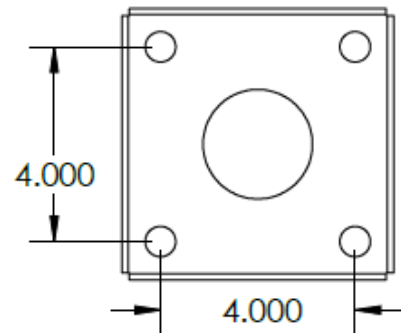
▶▶▶ Info on this spec sheet will change without notice as product development is an ongoing process.

Dimensions & Mounting (measurements in inches; drawings are not to scale)



AVAILABLE IN POST TOP VERSION

Anchoring Details (measurements in inches; drawings are not to scale)



Anchorbolt Size: 1/2" X 12" X 1-3/8"

- Hot dipped Galvanized anchor bolts
- Galvanized steel hex nuts
- Galvanized steel flat washers