

Date:

Type:

Project:



**MILL POST TOP**

A post top with rustic design. Made from extruded aluminum. The luminaire consists of a hood & reflector held up by arms. It emits light directly downwards. Designed to compliment nature for a contemporary appeal. Hood size is 20" square and the standard post-top height is 20.5". Contact Solera for bollard and wall mount versions.

Name	Lamping*	Lumen*	Color Temp	Electrical		Mounting	
MILL	60 W LED	8010	5000K	UNV	120-277V	PT3	Post top slips over 3" dia round pole
			4000K	HLV	347-480V	PT4	Post top slips over 4" dia round pole
			3500K			PT4-SQ	Post top slips over 4" square pole
			3000K			PIER	Pier mount
Contact for other wattages				Contact for other mounting types			

Lens		Light Pattern		Options		Finishes	
CL	Clear lens (Std)	TY5	Type V distribution (Std)	TP	Tamperproof Hardware	BL	Black
PG	Prismatic lens (K12)	TY4	Type IV distribution	TS	Tamperproof Screws	WH	White
		TY3	Type III distribution	PC	Button Photocell, voltage specific	SG	Silver Grey
		TY2	Type II distribution			BZ	Bronze
						CC	Custom Color
<a href="#">See finishes info on website</a>							

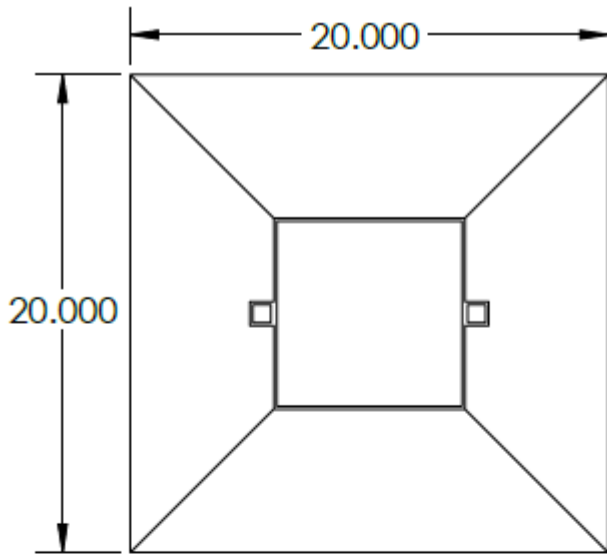
\*Lumens are based on Max Wattage and 5000K CCT  
 \*Specific IES Files available upon request  
 Std – Standard Offering

MILL- \_\_\_\_\_

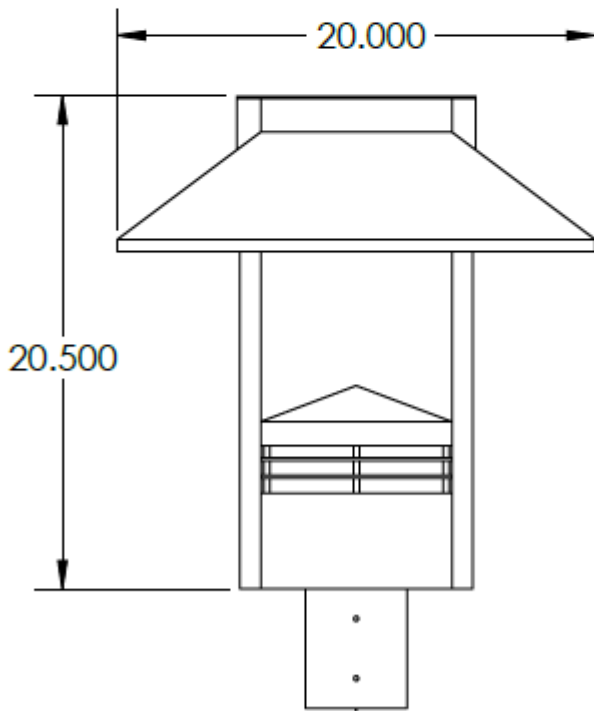
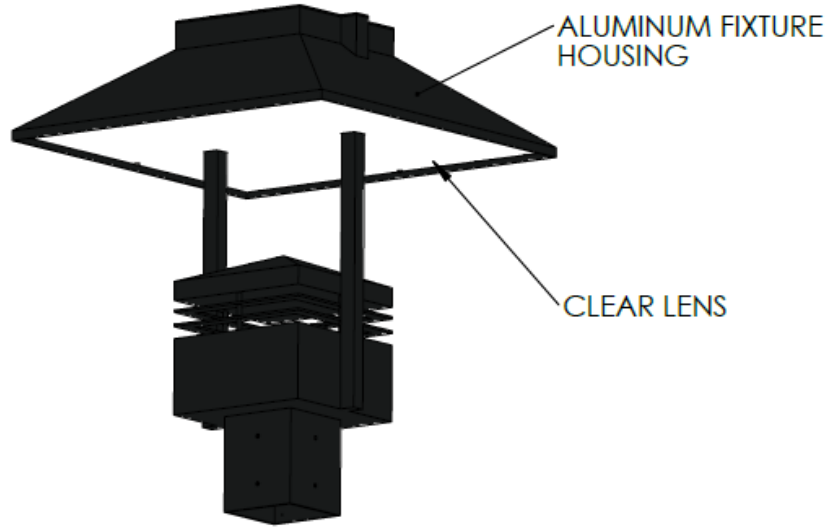
**Customization Notes:**

▶▶▶ Info on this spec sheet will change without notice as product development is an ongoing process.

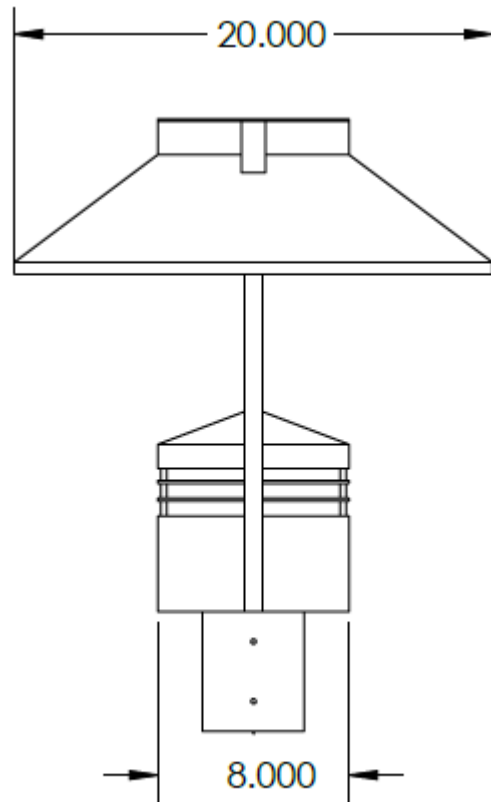
**Dimensions & Mounting** (measurements in inches; drawings are not to scale)



**TOP VIEW**



**FRONT VIEW**



**SIDE VIEW**