

Date:

Type:

Project:



META PENDANT

A round luminaire constructed from aluminum extrusion. The housing has a 2-tiered solid design. Pattern cut-outs are customizable for the lower tier. Choose from different mounting & specifiable options and finishes.

Name	Lamping			Fixture Lumens*	Color Temp	Electrical			Mounting	
META	24	24"	24W LED (max)	*see notes below	5000K	UNV HLV	120-277V 347-480V	P	Sturdy pendant stem	
	36	36"	36W LED (max)		4000K			3AC-TR	3 aircraft cables converge to single canopy	
	48	48"	48W LED (max)		3500K			3AC-SPD	3 aircraft cables & spider mount connecting to a hub	
	60	60"	60W LED (max)		3000K			3AC-SPD-P	Combination of 3 aircraft cables, spider mount, & sturdy pendant stem	
								3AC	3 aircraft cables hang from individual canopies	
								3P12	12" sturdy pendant stem hang down from a single canopy	
Contact Solera for other Wattages					Specify other			Contact Solera for other lengths		

Lens		Optics		Options		Finishes	
OAL	Opal acrylic lens (Std)	D	Down light only (Std)	DM	0-10V Dimming	BL	Black
FL	Frosted lens	UD	Up & down light	DM1	1% Dimming	WH	White
K12	Prismatic lens			2CC	Two circuit wiring	SG	Silver Gray
				RGBW	Color changing LEDs	BZ	Bronze
				RB	Remote ballast		
				EM	Emergency Battery	BA4	Brushed Aluminum #4
				PD	Custom pattern design at lower tier only	CC	Custom color
Contact Solera for other light distribution				Contact Solera for other custom options		See finishes page for custom colors	

*Contact Solera for lumens & to request for IES files.

*See lumens under [IES Files](#). Lumens based on maximum wattage & 5000k color temperature.

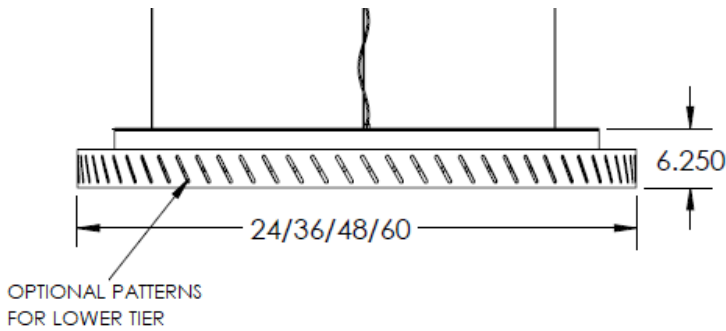
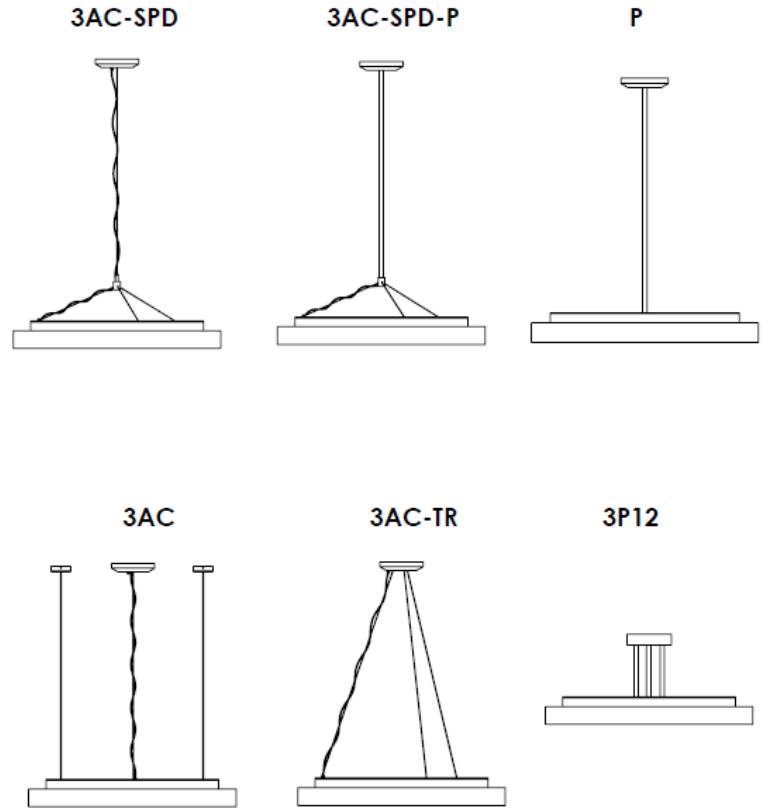
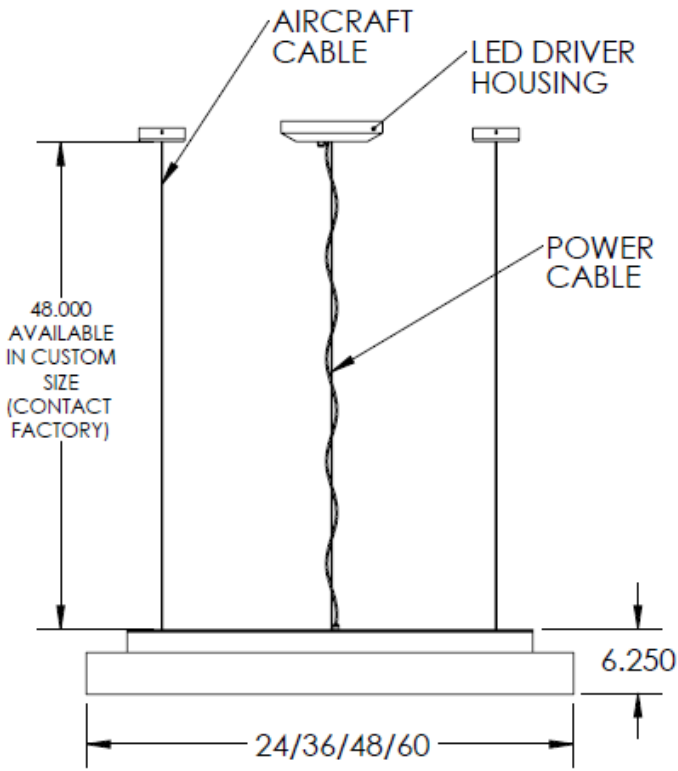
Std – standard offering

META- _____

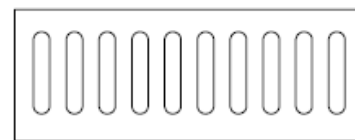
Customization Notes:

▶▶▶ Info on this spec sheet will change without notice as product development is an ongoing process. Last updated: 2023-09-28.

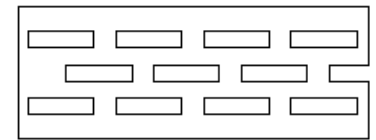
Dimensions & Mounting Options (drawings are not to scale; measurements in inches):



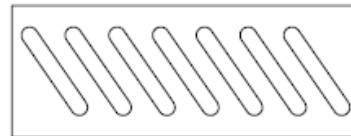
STANDARD PATTERN DESIGN OPTIONS FOR LOWER TIER:



PATTERN: 1



PATTERN: 2



PATTERN: 3

CONTACT FACTORY FOR OTHER AVAILABLE PATTERN OPTIONS