



Date
Quote #
Project Name
Type



## MAS - Pendant

### Description:

MAS is a compact rectilinear pendant that is ideal for small spaces. Sizes range from 2ft to 8ft. Option to specify with an up light.

Name  - Engine  - Lumens  - CCT  - Electrical  - Mounting  - Lens  - Pattern  - Options  - Finish

Name	Light Engine	Source Lumens <sub>(LED)(5000K)</sub>	Color Temp	Electrical
MAS-24	24 12 LED (Max)	2112	2700K	UNV 120-277V
MAS-48	48 18 LED (Max)	3168	3000K	HLV 347-480V
MAS-60	60 36 LED (Max)	6336	3500K	
MAS-96	96 60 LED (Max)	10560	4000K	
			5000K	
	Contact for custom	Contact for custom	Contact for custom	

Mounting	Lens	Light Pattern	Options	Finishes
2AC36 2 X 36" aircraft cables	PR Prismatic lens (K12) (Std)	D Down light (Std)	DM 0-10V dimming	Standard
				BL Black
	OAL Opal acrylic lens	UD Up and down light	DM1 1% dimming	WH White
			SF Single fuse	SG Silver Grey
			RB Remote ballast/driver	BZ Bronze
			RGBW Programmable color changing LEDs	Custom
				CC Custom Color
				See website for custom colors. Contact factory for physical samples.

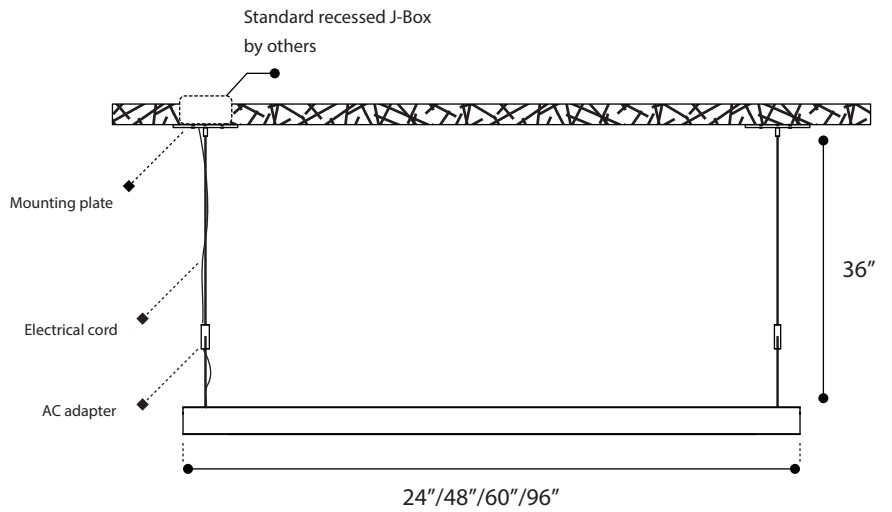
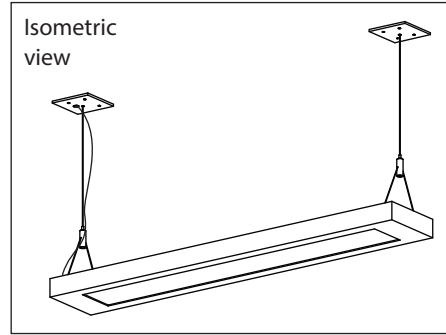
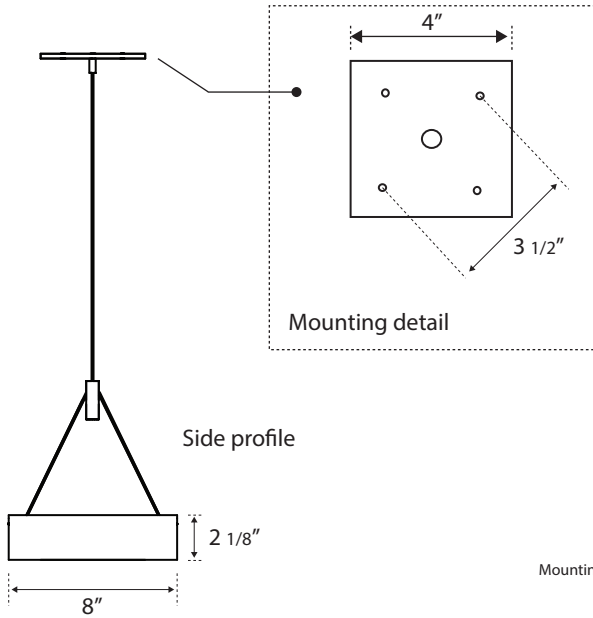
- Lumens are based on max wattage & 5000K CCT
- IES files available upon request
- Std - Standard Offering





**Dimensions & Mounting:**

Please note that drawings are not to scale.



**Listing:**

Complies to CSA and UL standards.

**Polar Graph:**

