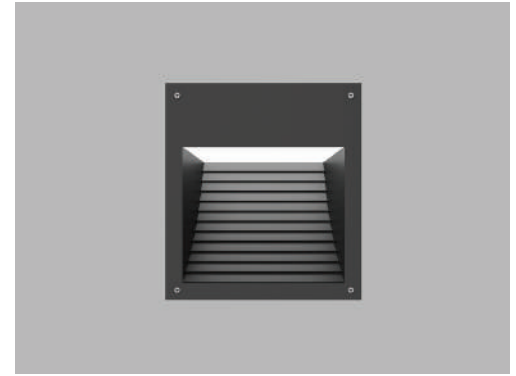




Date
Quote #
Project Name
Type



LRA - Wall Recessed

Description:

LRA is designed for step light applications. Made of fabricated aluminum and contains a tempered glass lens which is silicone sealed for weatherproofing.

Name - Engine - Lumens - CCT - Electrical - Mounting - Lens - Pattern - Options - Finish

Name	Light Engine	Source Lumens _{(LED)(5000K)}	Color Temp	Electrical
LRA	12W LED (Max)	2100	3000K	UNV 120-277V
	70 MH		3500K	HLV 347-480V
	70 HPS		4000K	TT Tri-Tap(HID)
			5000K	MT Multi-Tap(HID)
	Contact for custom	Contact for custom	Contact for custom	

Mounting	Lens	Light Pattern	Options	Finishes
R Recessed in dry wall	PR Micro prismatic lens (Std)	FT Forward throw	TP Tamperproof hardware	Standard BL Black
RTC Recessed in concrete	CPL Clear polycarbonate lens		TS Tamperproof screws	WH White
			EM Emergency battery	SG Silver Grey
	OPL Opal polycarbonate lens		SF Single fuse	BZ Bronze
				Custom CC Custom Color
				See website for custom colors. Contact factory for physical samples.

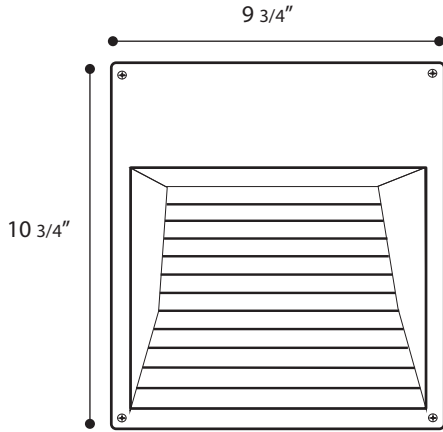
- Lumens are based on max wattage & 5000K CCT
- IES files available upon request
- Std - Standard Offering



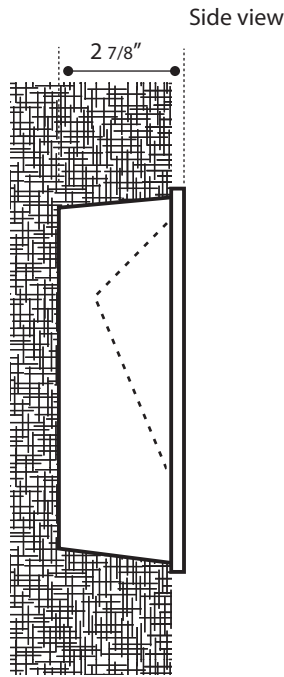


Dimensions & Mounting:

Please note that drawings are not to scale.



Front view



Cut Out Dimensions: 9 3/4" X 10 3/4" X 3 1/2"

Listing:

Complies to CSA and UL standards.

Polar Graph:

