

Date:

Type:

Project:



### KING POST TOP

A colonial post top with rustic design. Made from cast aluminum. The cage has spikes at the upper hood and bottom portion. Standard luminaire features a reflective cone that enhances illumination on all sides. The finial at the top cover is customizable. Over-all design gives a traditional appeal. Contact Solera for [Poles, Bases](#), & other mounting options.

Name	Lamping*	Lumen*	Color Temp	Electrical	Mounting		
KING	60 W LED	7800	5000K	UNV	120-277V	PT3	Post top slips over 3" diameter pole
			4000K	HLV	347-480V	PT4	Post top slips over 4" diameter pole
			3500K			PIER	Pier mount
			3000K			CHAIN	Chain hung, contact Solera

Contact factory for other lamping options (HID, INC, etc.)

Lens	Light Pattern	Options	Finishes
CL	Clear lens (Std)	TP	BL
PG	Prismatic lens (K12)	SF	WH
FSR	Fisher lens	PC	SG
		HCO	BZ
		CHI-CL	CC
		CHI-FR	
		LOV	

[See finishes info on website](#)

\*Lumens are based on Max Wattage and 5000K CCT

\*Specific IES Files available upon request

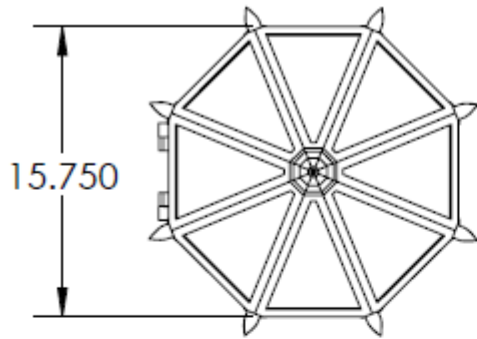
Std – Standard Offering

KING- \_\_\_\_\_

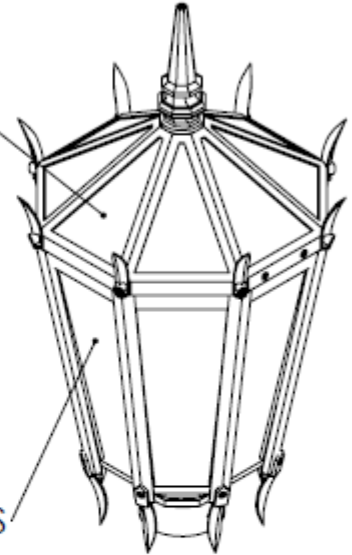
Customization Notes:

▶▶▶ Info on this spec sheet will change without notice as product development is an ongoing process.

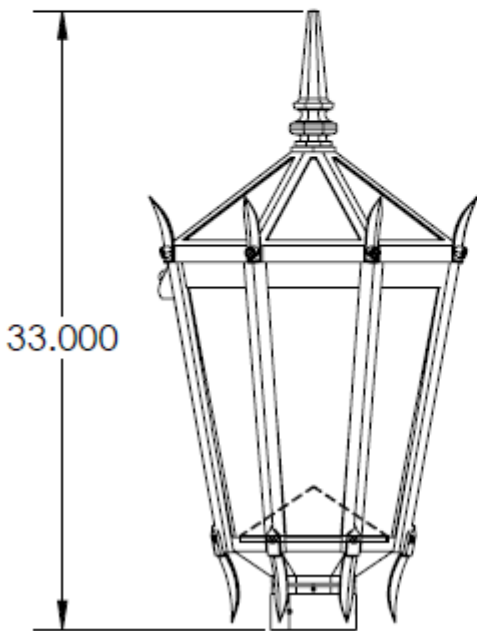
**Dimensions & Mounting** (measurements in inches; drawings are not to scale)



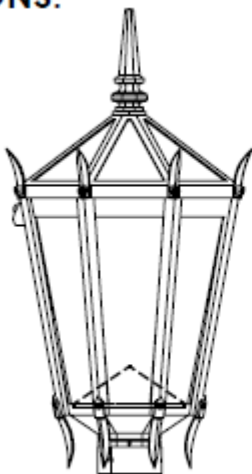
CAST ALUMINUM  
FIXTURE HOUSING



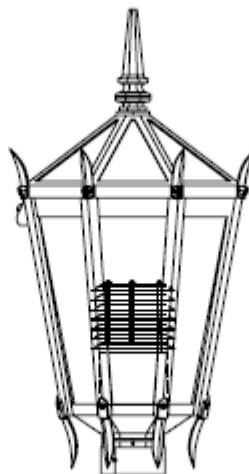
CLEAR LENS



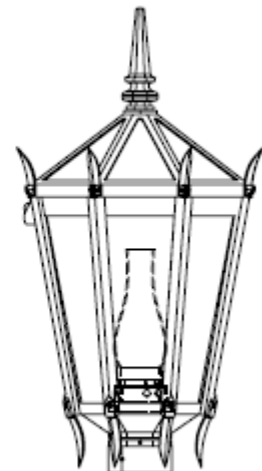
**OPTIONS:**



**CONE**



**LOUVERS**



**GLASS CHIMNEY**