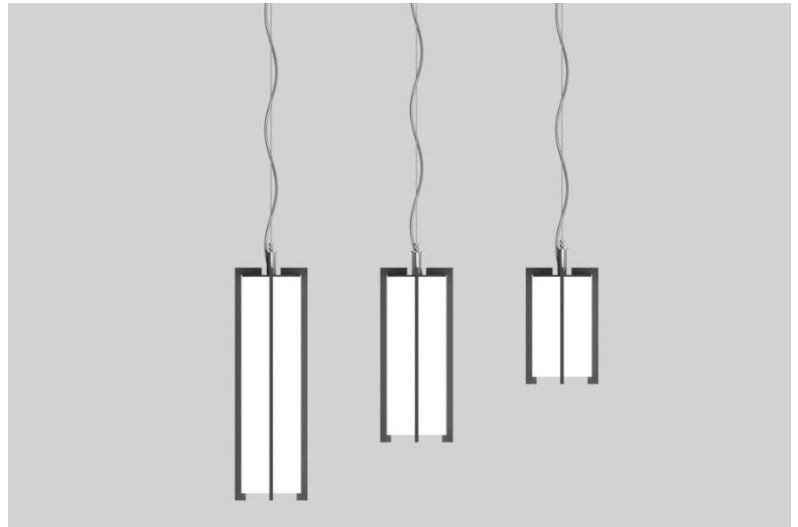


Date:

Type:

Project:



JUPITER PENDANT

A cylindrical pendant luminaire that consists of 4 vertical aluminum bars holding the opal lens that has an open bottom. Gives downward illumination only. Over-all standard width is 5". Available in three luminaire heights. See the Wall Mount version under Interior Surface Luminaires. Designed for indoor application.

Name	Fixture Height	Lamping	Electrical	Mounting Options
JUPITER	I	8"		P 24" sturdy pendant stem
	II	12"	GU10	AC Aircraft cable, 48" standard length
	III	16"		CM Surface ceiling mounted
				WM Wall mounted, see under Surface Luminaire

Contact Factory for other lengths and arm options

Lens	Light Pattern	Options	Finishes
OPL	Opal lens (Std)	D	Down light only
CPL	Clear lens with frosted top section	SV	Swivel Canopy
VNL	Vinyl, contact Solera for options		
		BL	Black
		BZ	Bronze
		WH	White
		SG	Silver Grey
		BA4	Brushed Aluminum #4
		CC	Custom Color

Contact factory for varying finishes.
[See finishes info on website](#)

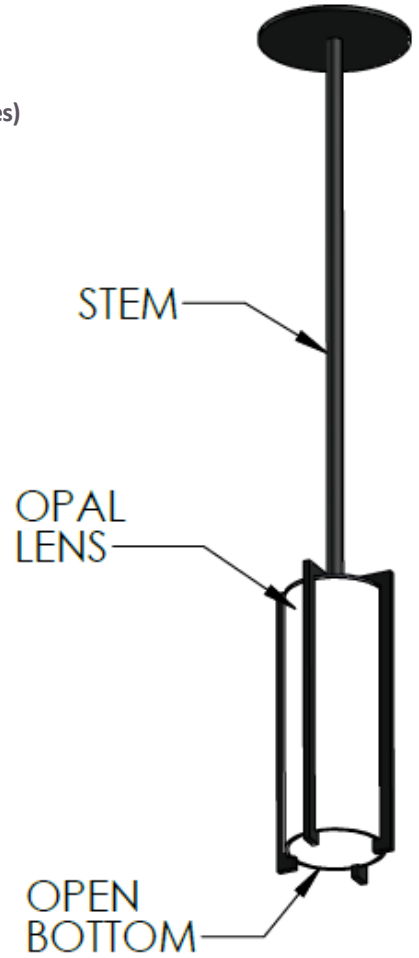
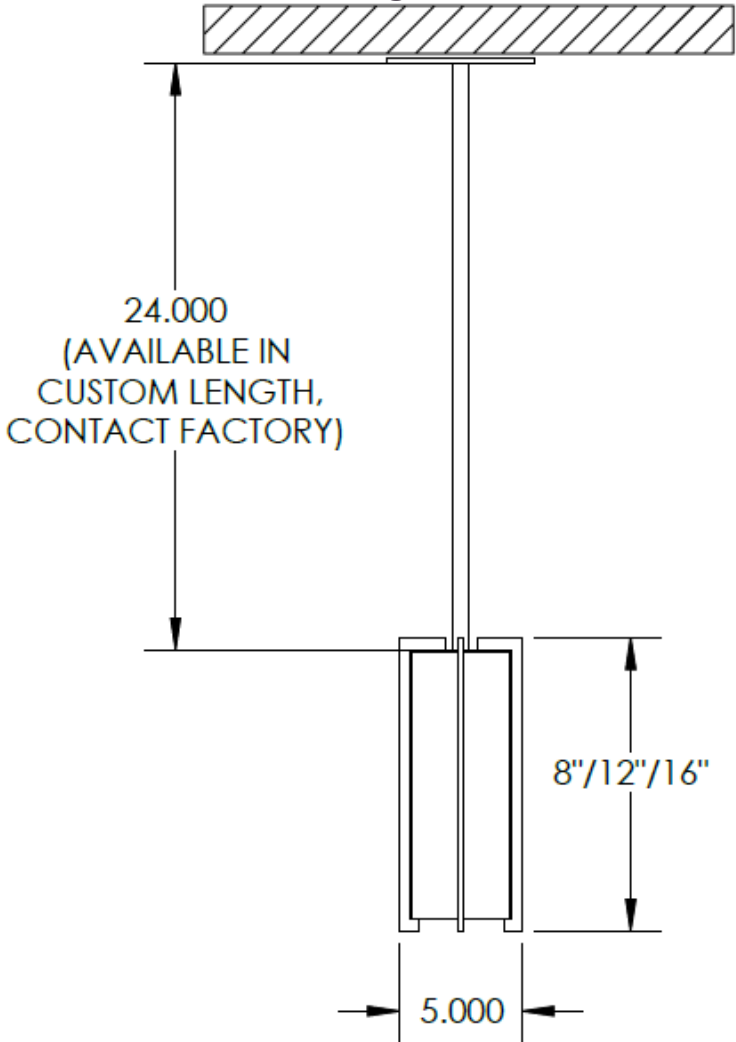
Std – Standard Offering

JUPITER- _____

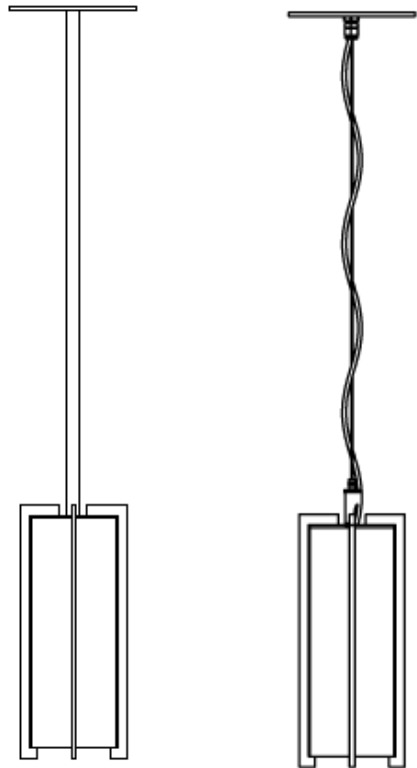
Customization Notes:

→ Info on this spec sheet will change without notice as product development is an ongoing process.

Dimensions & Mounting (drawings are not to scale; all dimensions in inches)



MOUNTING OPTIONS:



**AVAILABLE IN WALL MOUNT VERSION
(CHECK INDOOR WALL LUMINAIRE)**