

Date:

Type:

Project:



## JUN-16 WALL MOUNT

A unique wall exterior luminaire with spun aluminum dome-shaped housing that holds a white bullet lens giving illumination directly downwards. Check out the Pendant Version under Interior Luminaires.

Name	Size (Diameter)	Light Engine	Lumens*	Color Temp	Electrical	Wall Mounting		
JUN-16	16"	18W LED	2937	3000K	UNV	120-277V	E2	E2 arm (Std)
				3500K	HLV	347-480V	E3	E3 arm
				4000K			E4	E4 arm
				5000K				

Contact for other wattages & outputs

Lens	Light Pattern	Options	Finishes				
BL	White bullet lens	TY5	Type V distribution	DM	0-10V dimming	BL	Black
				DM1	1% dimming	BZ	Bronze
				RB	Remote driver	WH	White
				SF	Single fuse	SG	Silver Grey
				WG	Wire guard	BA4	Brushed Aluminum #4
						CC	Custom Color

[See finishes info on website](#)

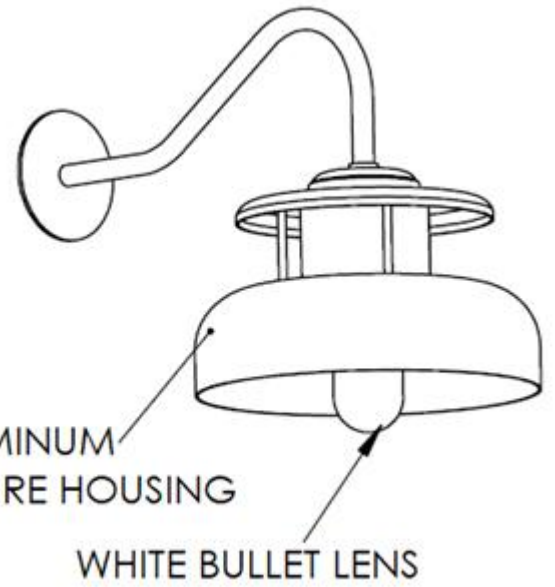
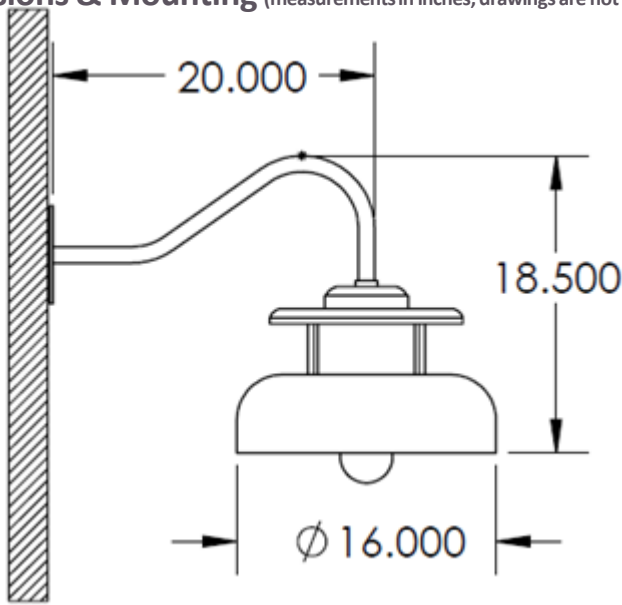
\*General lumens are based on Wattage and 5000K CCT  
 \*Specific IES Files available upon request  
 Std – Standard Offering

JUN-16- \_\_\_\_\_

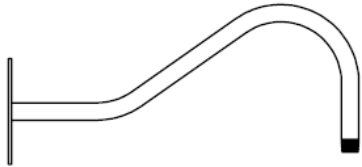
**Customization Notes:**

▶▶▶ Info on this spec sheet will change without notice as product development is an ongoing process.

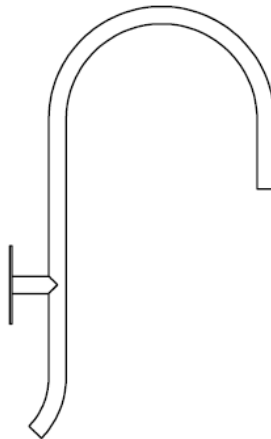
**Dimensions & Mounting** (measurements in inches; drawings are not to scale)



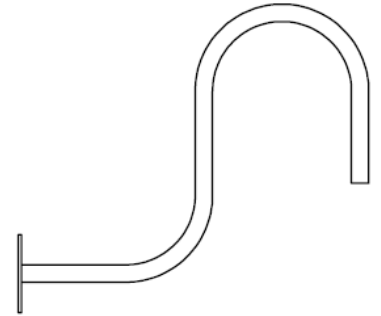
**WALL MOUNTING OPTIONS:**



**E2- ARM**  
(L-20 H-8.5)



**E3- ARM**  
(L-15 H-24)



**E4- ARM**  
(L-20 H-16)

AVAILABLE IN  
PENDANT VERSION  
(CHECK INDOOR  
LUMINAIRES)

