

Date:

Type:

Project:



## JUN-16 WALL MOUNT

A unique wall exterior luminaire with spun aluminum dome-shaped housing that holds a white bullet lens giving illumination directly downwards. Check out the Pendant Version under Interior Luminaires.

| Name   | Size (Diameter) | Light Engine | Lumens* | Color Temp | Electrical | Wall Mounting |    |              |
|--------|-----------------|--------------|---------|------------|------------|---------------|----|--------------|
| JUN-16 | 16"             | 18W LED      | 2937    | 3000K      | UNV        | 120-277V      | E2 | E2 arm (Std) |
|        |                 |              |         | 3500K      | HLV        | 347-480V      | E3 | E3 arm       |
|        |                 |              |         | 4000K      |            |               | E4 | E4 arm       |
|        |                 |              |         | 5000K      |            |               |    |              |

Contact for other wattages & outputs

| Lens | Light Pattern     | Options | Finishes            |     |               |     |                     |
|------|-------------------|---------|---------------------|-----|---------------|-----|---------------------|
| WBL  | White bullet lens | TY5     | Type V distribution | DM  | 0-10V dimming | BL  | Black               |
|      |                   |         |                     | DM1 | 1% dimming    | BZ  | Bronze              |
|      |                   |         |                     | RB  | Remote driver | WH  | White               |
|      |                   |         |                     | SF  | Single fuse   | SG  | Silver Grey         |
|      |                   |         |                     | WG  | Wire guard    | BA4 | Brushed Aluminum #4 |
|      |                   |         |                     |     |               | CC  | Custom Color        |
|      |                   |         |                     |     |               |     |                     |

[See finishes info on website](#)

\*General lumens are based on Wattage and 5000K CCT

\*Specific IES Files available upon request

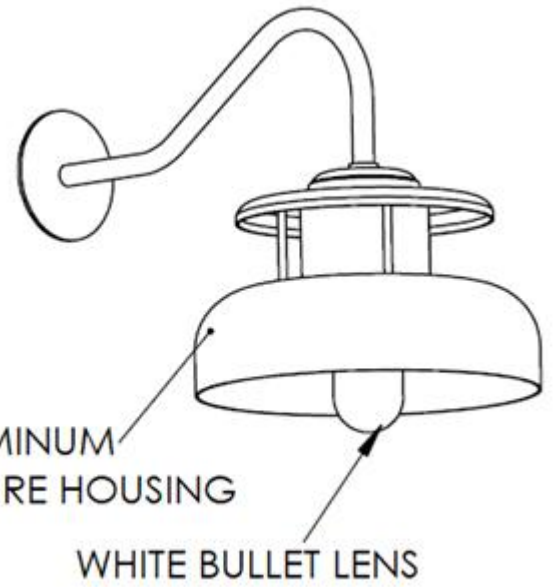
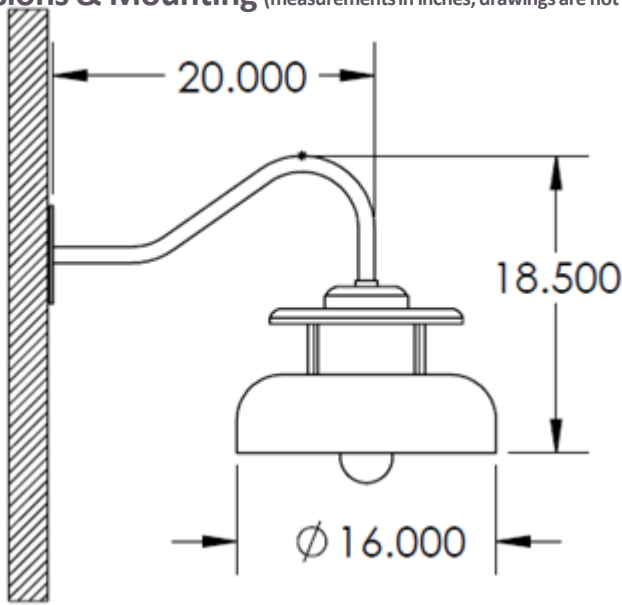
Std – Standard Offering

JUN-16- \_\_\_\_\_

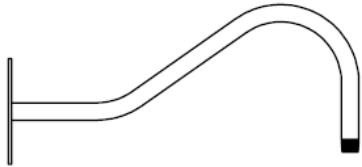
### Customization Notes:

▶▶▶ Info on this spec sheet will change without notice as product development is an ongoing process.

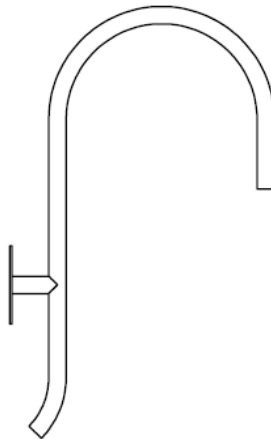
**Dimensions & Mounting** (measurements in inches; drawings are not to scale)



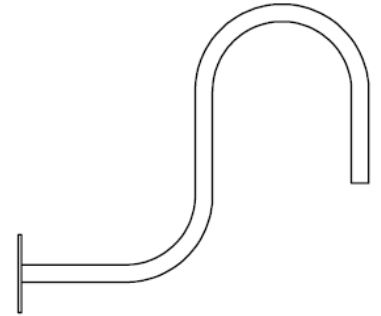
**WALL MOUNTING OPTIONS:**



**E2- ARM**  
(L-20 H-8.5)



**E3- ARM**  
(L-15 H-24)



**E4- ARM**  
(L-20 H-16)

AVAILABLE IN  
PENDANT VERSION  
(CHECK INDOOR  
LUMINAIRES)

