

**Date:**  
**Type:**  
**Project:**



**ING - GROUND RECESSED**

**DESCRIPTION:**

Multi-piece arrangement where housing is made of fabricated aluminum. Top piece consists of stainless-steel trim. Recessed J-Box is made polypropylene.

Name	Light Engine	Source Lumens* (LED, 5000K)	Color Temp	Electrical	Mounting
ING 625	625 24W LED (Max)	3264	3000K	UNV 120-277V IR	In-ground recessed
ING 626	626 40W LED (Max)	5859	4000K 5000K	HLV 347-480V	
	Contact for custom	Contact for custom	Contact for custom		

Lens	Optics	Options	Finishes
FG Frosted Glass Lens (Std)	NB Narrow Beam	WG Wire Guard	BL Black
PG Prismatic Glass Lens	MB Medium Beam	TP Tamper proof hardware	WH White
CG Clear Glass Lens	WB Wide Beam	TS Tamper proof screws	SG Silver Gray
		EM Emergency Battery	BZ Bronze
		GS Glare Shield	CC Custom Color

[See finishes brochure on website](#)

\*Lumens are based on Max Wattage and 5000K CCT  
 IES Files available upon request.  
 Std – Standard Offering

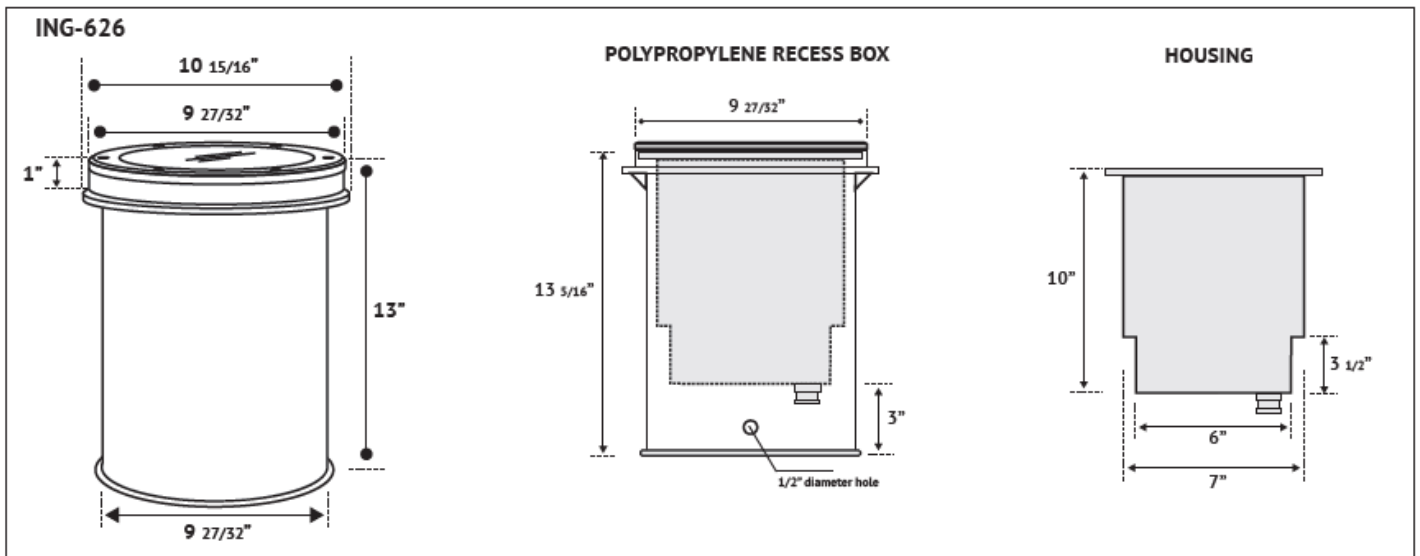
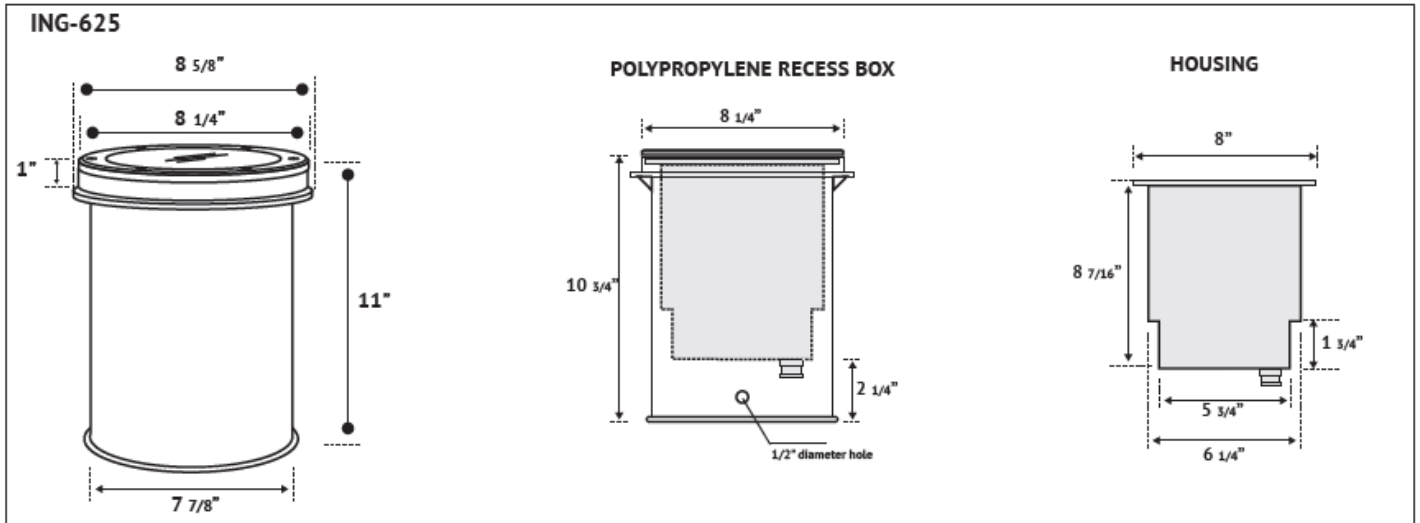
ING 625- \_\_\_\_\_ - \_\_\_\_\_ - \_\_\_\_\_ - \_\_\_\_\_ - \_\_\_\_\_ - \_\_\_\_\_ - \_\_\_\_\_ - \_\_\_\_\_  
 ING 626- \_\_\_\_\_ - \_\_\_\_\_ - \_\_\_\_\_ - \_\_\_\_\_ - \_\_\_\_\_ - \_\_\_\_\_ - \_\_\_\_\_ - \_\_\_\_\_

**Customization Notes:**

→ Info on this spec sheet will change without notice as product development is an ongoing process.  
 Date Modified: Oct-30-2023

**Dimensions & Mounting:**

Please note that drawings are not to scale.



**Listing:**

Complies to CSA and UL standards.

**Polar Graph:**

