



Date
Quote #
Project Name
Type



GLOW RING - Pendant

Description:

GLOW RING is a circular pendant luminaire that consists of two distinct pieces: the aluminum plate on top and opal lens on the bottom. All external hardware is stainless-steel.

Name - Engine - Lumens - CCT - Electrical - Mounting - Lens - Pattern - Options - Finish

Name	Light Engine	Source Lumens _{(LED)(5000K)}	Color Temp	Electrical
GLOW RING-18	18 18 LED (Max)	3168	2700K	UNV 120-277V
GLOW RING-24	24 24 LED (Max)	4756	3000K	HLV 347-480V
GLOW RING-36	36 36 LED (Max)	6336	3500K	
GLOW RING-48	48 48 LED (Max)	8448	4000K	
GLOW RING-60	60 60 LED (Max)	10560	5000K	
GLOW RING-72	72 72 LED (Max)	12672		
	Contact for custom	Contact for custom	Contact for custom	

Mounting	Lens	Light Pattern	Options	Finishes
3AC48-CMB 3X48" aircraft cables with individual canopies	OAL Opal acrylic lens (Std)	EG Encompassing glow	DM 0-10V dimming	Standard
	ABL Alabaster lens		DM1 1% dimming	BL Black WH White
3AC48-SPD 3 aircraft cables connect to spider mount hub			EM Emergency battery	SG Silver Grey BZ Bronze
3AC48-TR 3 aircraft cables converge to a single canopy			RB Remote ballast/driver	Custom
3AC48-SPD-P Combination of aircraft cables and stem			RGBW Programmable color changing LEDs	CC Custom Color
				See website for custom colors. Contact factory for physical samples.

- Lumens are based on max wattage & 5000K CCT
- IES files available upon request
- Std - Standard Offering

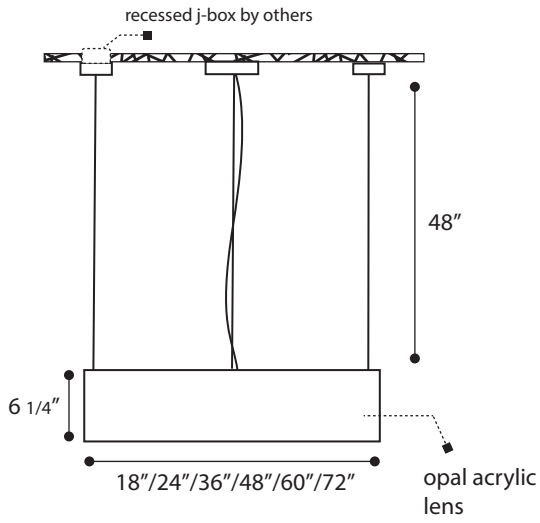




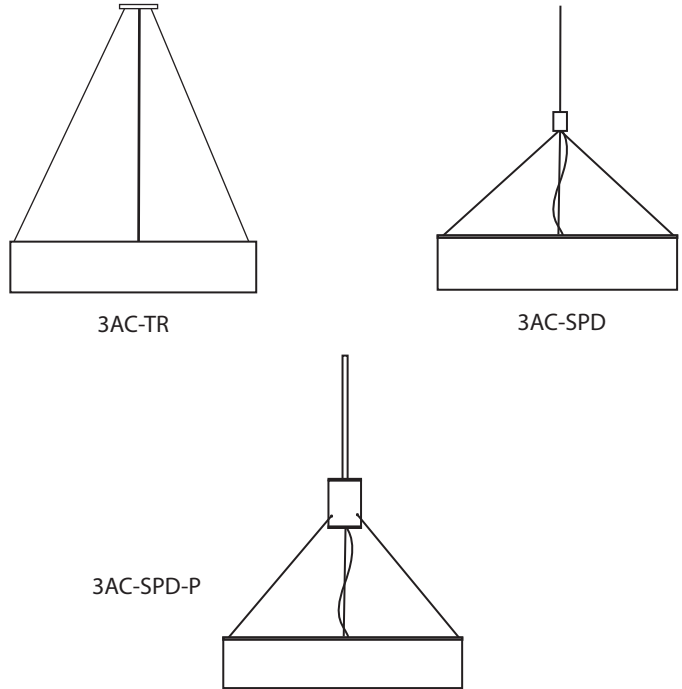
Dimensions & Mounting:

Please note that drawings are not to scale.

3AC-CMB



Other mounting arrangements



Listing:

Complies to CSA and UL standards.

Polar Graph:

