



Date
Quote #
Project Name
Type



## GAR-B - Bollard

### Description:

Extruded aluminum housing construction with aluminum end caps and silicone sealed lens gasketing.

Name  - Engine  - Lumens  - CCT  - Electrical  - Mounting  - Lens  - Pattern  - Options  - Finish

Name	Light Engine	Source Lumens <sub>(LED)(5000K)</sub>	Color Temp	Electrical
GAR-B	42 LED (Max)	5460	3000K	UNV 120-277V
			3500K	HLV 347-480V
			4000K	
			5000K	

Contact for custom      Contact for custom      Contact for custom

Mounting		Lens		Light Pattern		Options		Finishes	
ABT	Anchors, bolts and template	CG	Clear lens (Std)	FT	Forward throw	MS	Motion sensor	Black	
		PR	Prismatic lens (K12)	180	180 degrees	SD	Step dimming	BL	Black
		LE	Lexan (vandal resistant)			TP	Tamperproof hardware	WH	White
						TS	Tamperproof screws	SG	Silver Grey
						PC	Button photocell	BZ	Bronze
						SF	Single fuse		
						GFR	Ground fault receptacle	Custom	
						ELB	Electronic HID ballast	CC	Custom Color
						BC	Base cover	See website for custom colors. Contact factory for physical samples.	

- Lumens are based on max wattage & 5000K CCT
- IES files available upon request
- Std - Standard Offering

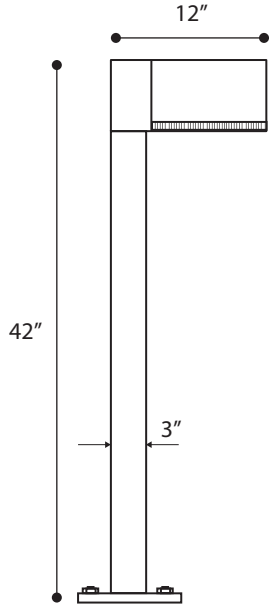




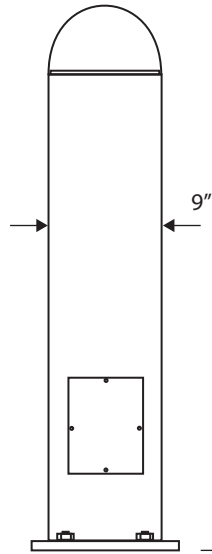
**Dimensions & Mounting:**

Please note that drawings are not to scale.

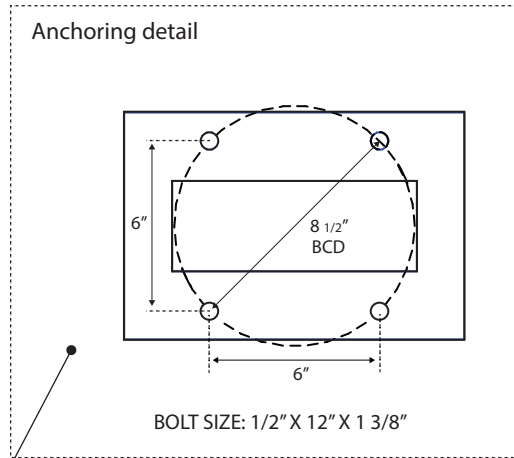
Side view



Front view



Anchoring detail



**Listing:**

Complies to CSA and UL standards.

**Polar Graph:**

