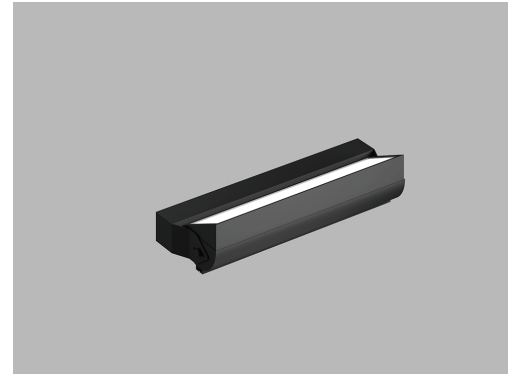




Date
Quote #
Project Name
Type



## FIN - Wall Mount

### Description:

Adjustable wall mount luminaire, constructed of heavy duty die cast aluminum and designed with an integrated cooling structure. Select natatorium for corrosion resistant finish.

Name	Engine	Lumens	CCT	Electrical	Mounting	Lens	Pattern	Options	Finish
<input type="text"/>	<input type="text"/>	<input type="text"/>	<input type="text"/>	<input type="text"/>	<input type="text"/>	<input type="text"/>	<input type="text"/>	<input type="text"/>	<input type="text"/>

Name	Light Engine	Source Lumens <sub>(LED)(5000K)</sub>	Color Temp	Electrical
FIN1X	200W LED (Max)	24755	2700K	UNV 120-277V
FIN2X (Twin)	400W LED (Max)	49510	3000K	HLV 347-480V
			3500K	
			4000K	
			5000K	
	Contact for custom	Contact for custom	Contact for custom	

For better illustration on variations see {page 2}

Mounting		Lens		Light Pattern		Options		Finishes	
WM	Wall mount (FIN1X)	CG	Clear glass lens (Std)	INU	Indirect up light	DM	0-10V dimming	Standard	
								BL	Black
2AC96	2X96" aircraft cables (FIN2X)	CPL	Clear polycarbonate lens			DM1	1% dimming	WH	White
		FG	Frosted glass lens			RB	Remote ballast/driver	SG	Silver Grey
						VS	Visor cutoff	BZ	Bronze
						EM	Emergency battery	NAT	Natorium finish
								Custom	
								CC	Custom Color
									See website for custom colors. Contact factory for physical samples.

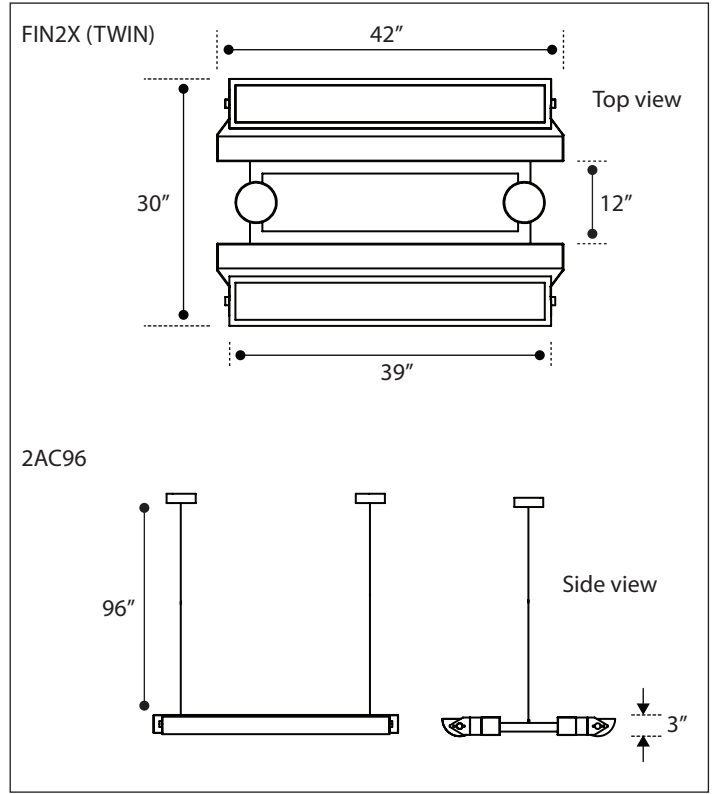
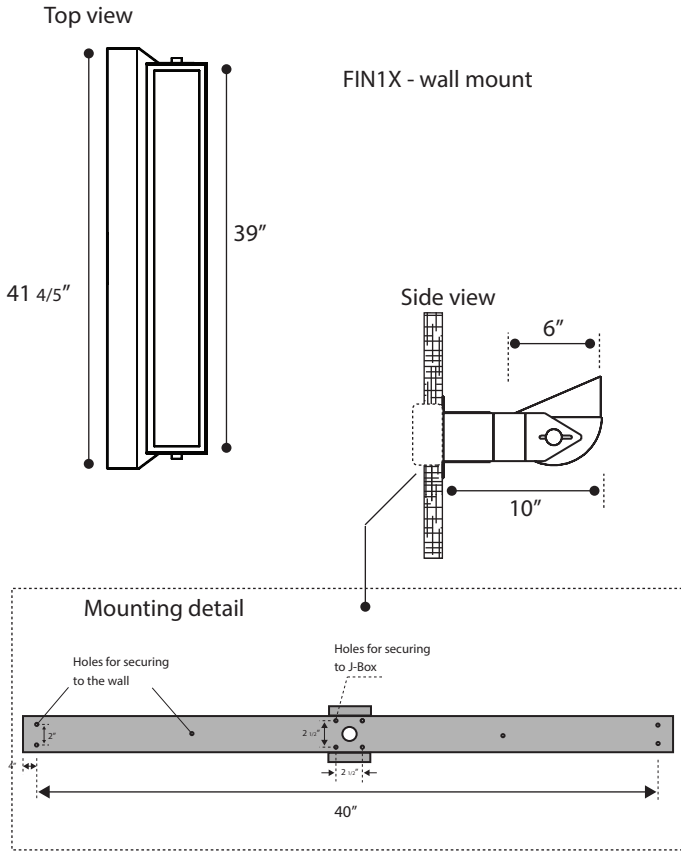
- Lumens are based on max wattage & 5000K CCT
- IES files available upon request
- Std - Standard Offering





**Dimensions & Mounting:**

Please note that drawings are not to scale.



**Listing:**

Complies to CSA and UL standards.

**Polar Graph:**

