

Date:

Type:

Project:

ERB-BLD BOLLARD

The bollard version of the ERB Post-top. Made from aluminum extrusion with optical assembly that features a high impact opal diffuser confined by 3 vertical bars emitting a subtle glow. Standard bollard height is 42" high.



Name	Lamping*	Lumens*	Color Temp	Electrical		Mounting	
ERB-BLD	48 W LED (max)	6240	5000K 4000K 3500K 3000K	UNV HLV	120-277V 347-480V	ABT	Anchors, bolts, & template
Contact for other wattages				Contact for other mounting options			

Lens		Light Pattern		Options		Finishes	
OL	Opal lens (Std)	TY5	Type V Distribution (Std)	TP/TS DM GFR PC	Tamperproof hardware & screws 0-10V dimming Ground fault receptacle Button photocell, Voltage specific	BL WH SG BZ CC	Black White Silver Grey Bronze Custom Color
See finishes info on website							

*Lumens are based on Max Wattage and 5000K CCT

*Specific IES Files available upon request

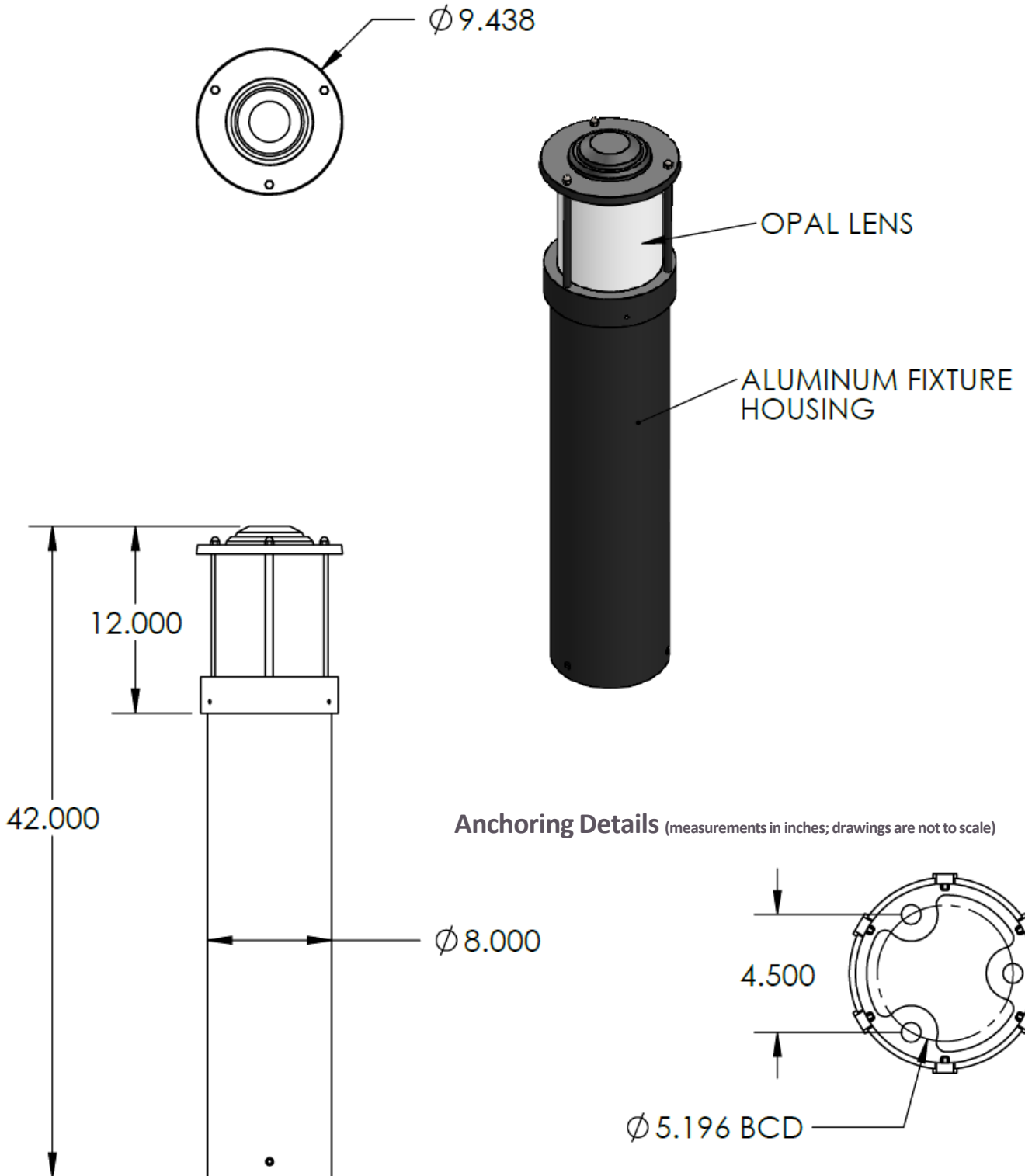
Std – Standard Offering

ERB-BLD- _____ - _____ - _____ - _____ - _____ - _____ - _____ - _____

Customization Notes:

▶▶▶ Info on this spec sheet will change without notice as product development is an ongoing process.

Dimensions & Mounting (measurements in inches; drawings are not to scale)



Anchorbolt Size: 1/2" X 12" X 1-3/8"

- Hot dipped Galvanized anchor bolts
- Galvanized steel hex nuts
- Galvanized steel flat washers