



Date
Quote #
Project Name
Type



DIX - Pole Mount

Description:

Constructed of cast aluminum, fixture housing features a fin design on top to dissipate heat. Custom arm for double aluminum straight pole with central panels. Panels can be swapped with a variety of metal composite materials.

Name - Engine - Lumens - CCT - Electrical - Mounting - Lens - Pattern - Options - Finish

Name	Light Engine	Source Lumens _{(LED)(5000K)}	Color Temp	Electrical
DIX-PM	288W LED (Max)	32454	3000K	UNV 120-277V
			3500K	HLV 347-480V
			4000K	
			5000K	
	Contact for custom	Contact for custom	Contact for custom	

Mounting	Lens	Light Pattern	Options	Finishes
C Custom arm and pole	CPL Clear polycarbonate lens (Std)	TY5 Type V (Std)	SD Step dimming	Standard BL Black
		TY4 Type IV	MS Motion sensor	WH White
	TY3 Type III		TP Tamperproof hardware	SG Silver Grey
		TY2 Type II	TS Tamperproof screws	BZ Bronze
			PC Button photocell	MCM - metal composite material. <Only for custom pole>. Contact factory for MCM color chart and pole dimensions.
			SF Single fuse	Custom
			TCO Trespass cut off	CC Custom Color
				See website for custom colors. Contact factory for physical samples.

- Lumens are based on max wattage & 5000K CCT
- IES files available upon request
- Std - Standard Offering

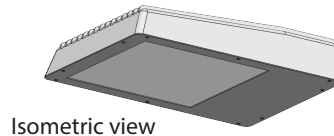
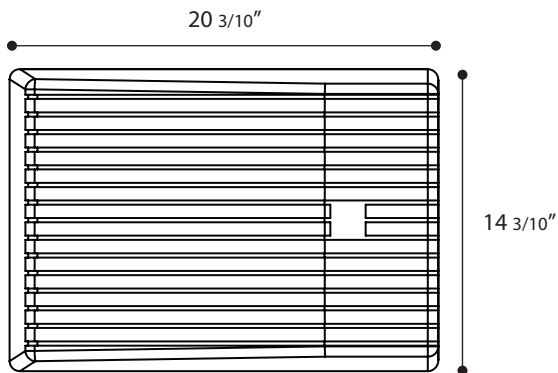




Dimensions & Mounting:

Please note that drawings are not to scale.

Top view



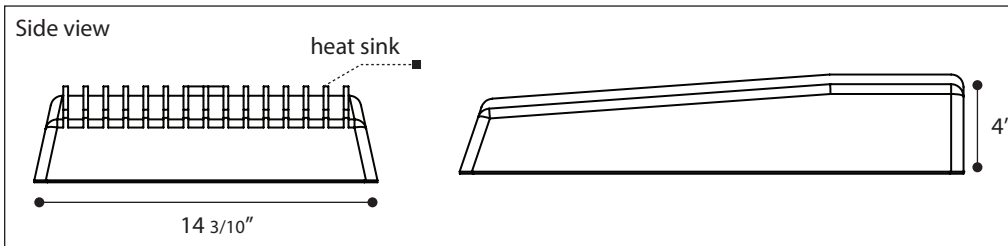
Isometric view

Panels can be MCM - metal composite material (contact factory) for color chart.

1	2	3	4	5	6	7	8
9	10	11	12	13	14	15	16

1. Hazelnut Mica 5. Champagne Metallic 9. Brushed 50 13. Rusted Metal
 2. Driftwood Mica 6. Sunrise Silver Metallic 10. Brushed Stainless 14. Ocean
 3. Russet Mica 7. Brilliant Silver Metallic 11. Brushed Carbon 15. Cupral
 4. Silver Metallic 8. Reflect Mirror 12. Zinc 16. Sakura

custom pole (contact factory)

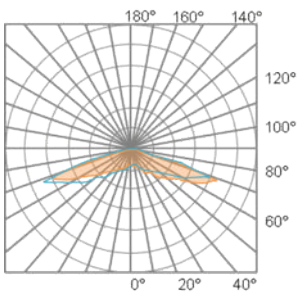


Listing:

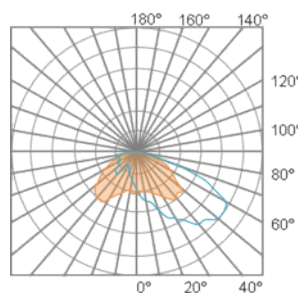
Complies to CSA and UL standards.

Polar Graph:

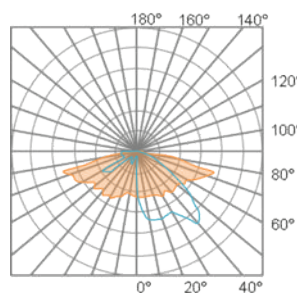
TY5



TY4



TY3



TY2

