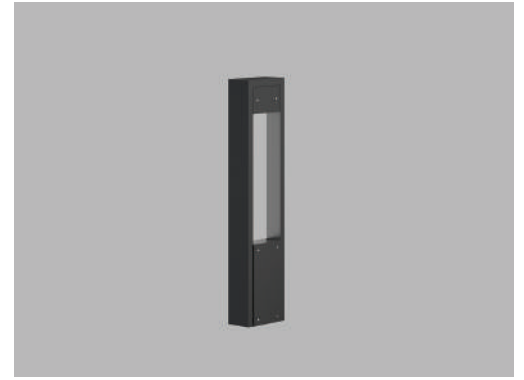




Date
Quote #
Project Name
Type



DIX - Bollard

Description:

Constructed of aluminum and swappable metal composite panels (see finishes). Silicone sealed gasketing for weather protection. Standard is monotone colored.

Name - Engine - Lumens - CCT - Electrical - Mounting - Lens - Pattern - Options - Finish

Name	Light Engine	Source Lumens _{(LED)(5000K)}	Color Temp	Electrical
DIX-B	12W LED (Max)	2112	3000K	UNV 120-277V
			3500K	HLV 347-480V
			4000K	
			5000K	

Contact for custom

Contact for custom

Contact for custom

Mounting		Lens		Light Pattern		Options		Finishes	
ABT	Anchor, bolts & template	CPL	Clear polycarbonate lens (Std)	FT	Forward throw (Std)	MS	Motion sensor	Standard	
						SD	Step dimming	BL	Black
						TP	Tamperproof hardware	WH	White
						TS	Tamperproof screws	SG	Silver Grey
						DM	0-10V dimming	BZ	Bronze
						PC	Button photocell	MCM	Metal composite material, see {page 2} for better illustration.
						SF	Single fuse	Custom	
								CC	Custom Color
									See website for custom colors. Contact factory for physical samples.

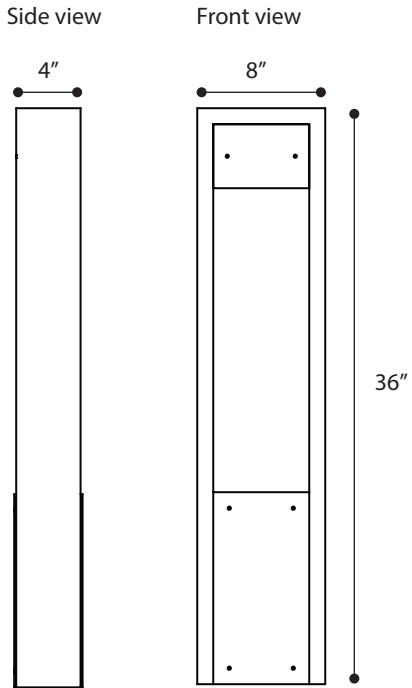
- Lumens are based on max wattage & 5000K CCT
- IES files available upon request
- Std - Standard Offering





Dimensions & Mounting:

Please note that drawings are not to scale.

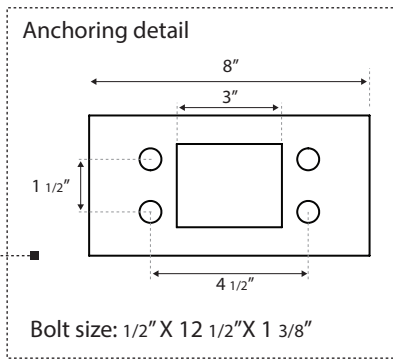


Panels can be MCM - metal composite material (contact factory for color chart).

1	2	3	4	5	6	7	8
9	10	11	12	13	14	15	16

1. Hazelnut Mica 5. Champagne Metallic 9. Brushed 50 13. Rusted Metal
 2. Driftwood Mica 6. Sunrise Silver Metallic 10. Brushed Stainless 14. Ocean
 3. Russet Mica 7. Brilliant Silver Metallic 11. Brushed Carbon 15. Cupral
 4. Silver Metallic 8. Reflect Mirror 12. Zinc 16. Sakura

Isometric view



Listing:

Complies to CSA and UL standards.

Polar Graph:

