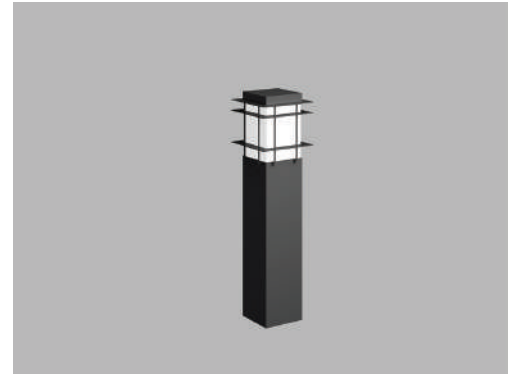




Date
Quote #
Project Name
Type



## DGR-B - Bollard

### Description:

DGR is a lantern series consisting of bollards, post tops and wall mounts. Its contemporary makes it ideal for pedestrian walkways.

Name  - Engine  - Lumens  - CCT  - Electrical  - Mounting  - Lens  - Pattern  - Options  - Finish

Name	Light Engine	Source Lumens <sub>(LED)(5000K)</sub>	Color Temp	Electrical
DGR-B	48 LED (Max)	6244	3000K	UNV 120-277V
			3500K	HLV 347-480V
			4000K	
			5000K	

Contact for custom

Contact for custom

Contact for custom

Mounting		Lens		Light Pattern		Options		Finishes	
ABT	Anchors, bolts and template	OAL	Opal acrylic lens (Std)	TY5	Type V(Std)	MS	Motion sensor	Standard	
								BL	Black
				TY3	Type III	SD	Step dimming	WH	White
				180	180 degrees	TP	Tamperproof hardware	SG	Silver Grey
						TS	Tamperproof screws	BZ	Bronze
						PC	Button photocell	Custom	
						SF	Single fuse	CC	Custom Color
						GFR	Ground fault receptacle		See website for custom colors. Contact factory for physical samples.
						ELB	Electronic HID ballast		

- Lumens are based on max wattage & 5000K CCT
- IES files available upon request
- Std - Standard Offering

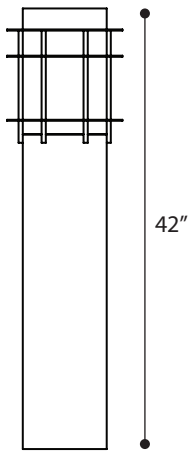




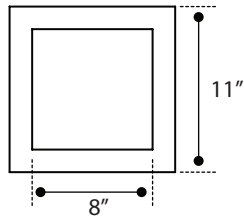
**Dimensions & Mounting:**

Please note that drawings are not to scale.

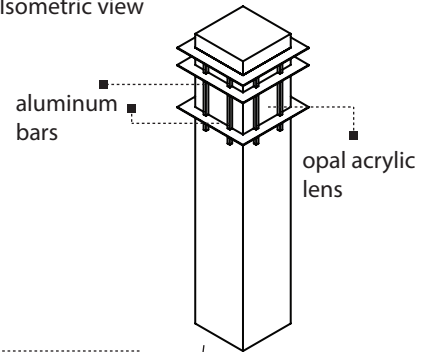
Side view



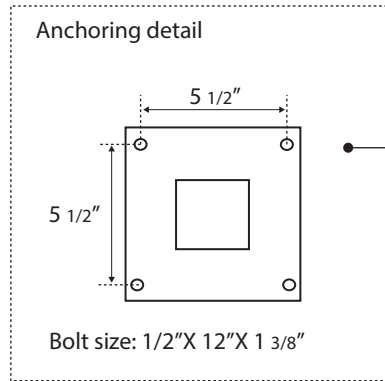
Top view



Isometric view



Anchoring detail



**Listing:**

Complies to CSA and UL standards.

**Polar Graph:**

TY5

