



Date
Quote #
Project Name
Type



## DEL-II - Wall Mount

### Description:

DEL-II is a cove surface mounted luminaire featuring 90 degree bi-directional lighting effect . All external hardware is stainless steel.

Name	Engine	Lumens	CCT	Electrical	Mounting	Lens	Pattern	Options	Finish
<input type="text"/>	<input type="text"/>	<input type="text"/>	<input type="text"/>	<input type="text"/>	<input type="text"/>	<input type="text"/>	<input type="text"/>	<input type="text"/>	<input type="text"/>

Name	Light Engine	Source Lumens <sub>(LED)(5000K)</sub>	Color Temp	Electrical
DEL-II-24	24 20 LED (Max)	3520	2700K	UNV 120-277V
DEL-II-36	36 20 LED (Max)	5632	3000K 3500K	HLV 347-480V
DEL-II-48	48 20 LED (Max)	7744	4000K 5000K	

Contact for custom

Contact for custom

Contact for custom

Mounting	Lens	Light Pattern	Options	Finishes
C Cove mount	OAL Opal acrylic lenses (Std)	UD Down and front light (Std)	DM 0-10V dimming	Standard BL Black
	CGL Color glow lenses	D Down light	DM1 1% dimming	WH White
		F Front light	DL Damp location	SG Silver Grey BZ Bronze
	EM Emergency battery	RGBW Programmable color changing LEDs	Custom CC Custom Color	See website for custom colors. Contact factory for physical samples.

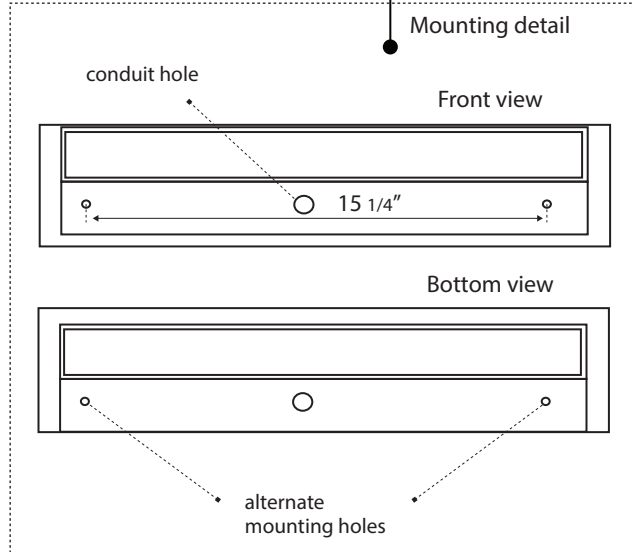
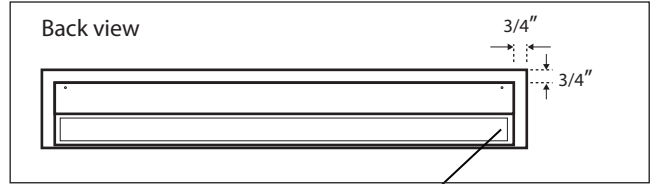
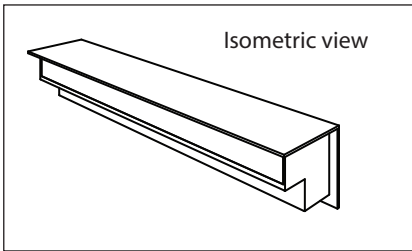
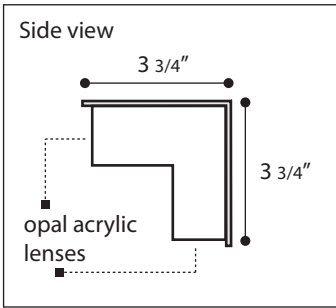
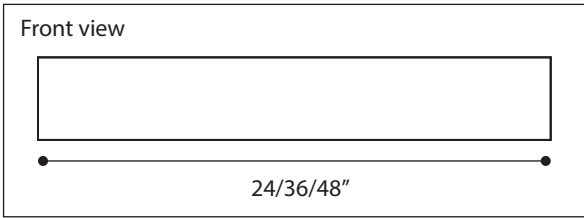
- Lumens are based on max wattage & 5000K CCT
- IES files available upon request
- Std - Standard Offering





**Dimensions & Mounting:**

Please note that drawings are not to scale.



**Listing:**

Complies to CSA and UL standards.

**Polar Graph:**

