



Date
Quote #
Project Name
Type



CSP - Pendant

Description:

Heavy gauge aluminum ballast/driver housng.
 Die-cut aluminum decorative rings with ribberd
 cylinder tempered glass.

Name - Engine - Lumens - CCT - Electrical - Mounting - Lens - Pattern - Options - Finish

Name	Light Engine	Source Lumens _{(LED)(5000K)}	Color Temp	Electrical
CSP	45W LED (Max)	5460	2700K	UNV 120-277V
			3000K	HLV 347-480V
			3500K	TT Tri-Tap(HID)
			4000K	MT Multi-Tap(HID)
			5000K	
	Contact for custom	Contact for custom	Contact for custom	

Mounting	Lens	Light Pattern	Options	Finishes
AC48 48" aircraft cable	RGL Ribbed glass bullet lens (Std)	EG Encompassing glow (Std)	DM 0-10V dimming	Standard BL Black
WM Wall mount	CGB Clear glass bullet		RB Remote ballast/driver	WH White
	OGB Opal glass bullet			SG Silver Grey
			SF Single fuse	BZ Bronze
			ELB Electronic ballast (HID)	Standard CC Custom Color
				See website for custom colors. Contact factory for physical samples.

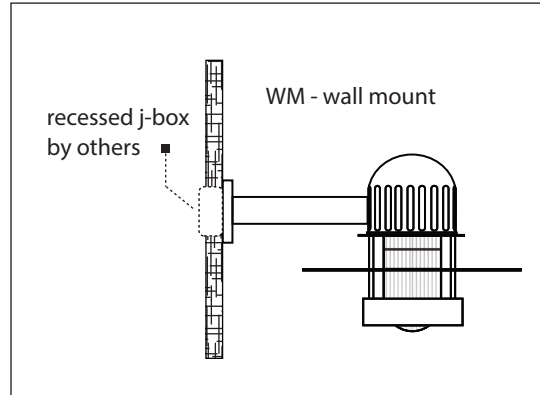
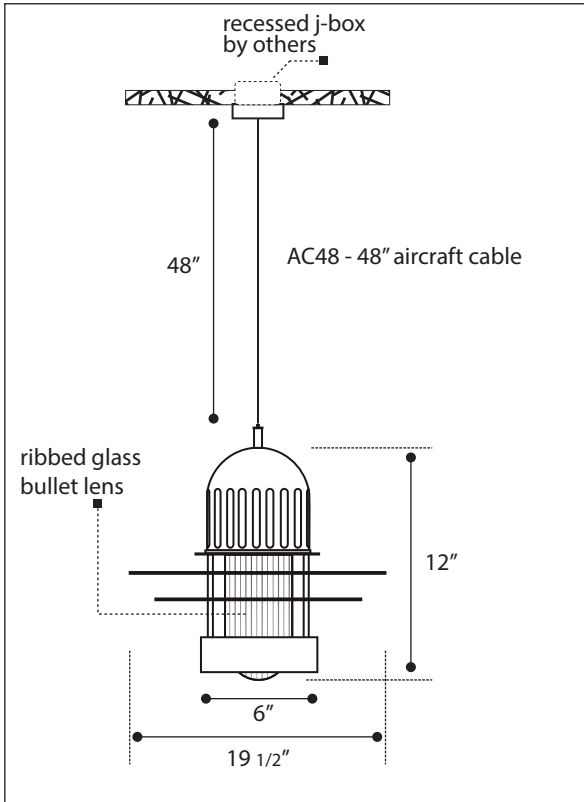
- Lumens are based on max wattage & 5000K CCT
- IES files available upon request
- Std - Standard Offering





Dimensions & Mounting:

Please note that drawings are not to scale.



Listing:

Complies to CSA and UL standards.

Polar Graph:

